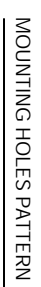
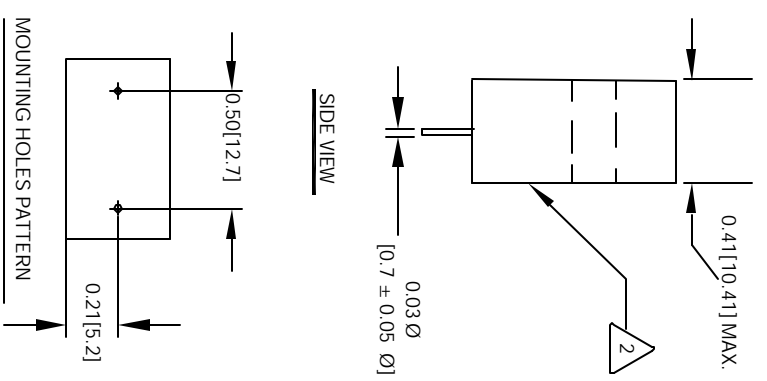
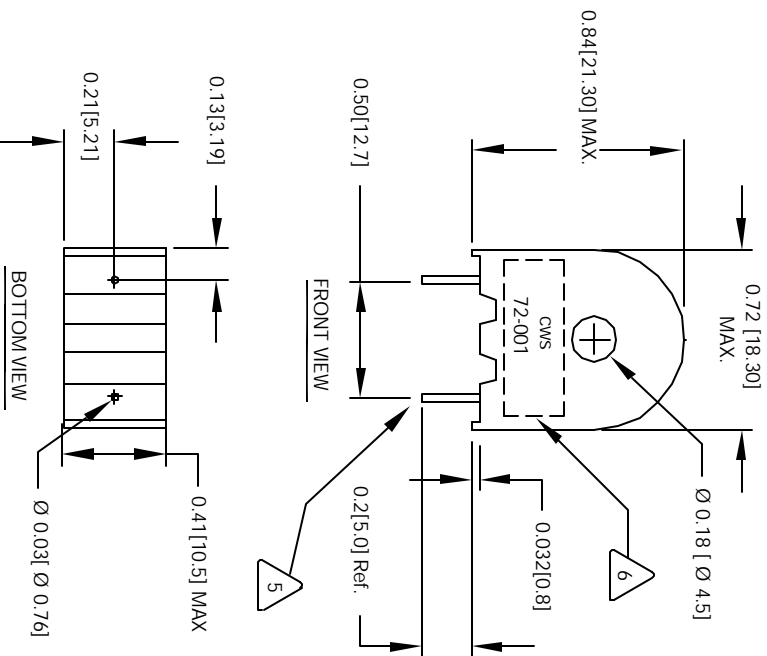
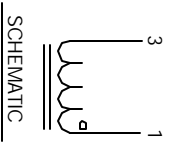


The information contained in this drawing is the sole property of CWS Coil Winding Specialist. Any reproduction in part or whole without written permission of CWS Coil Winding Specialist is prohibited.

| REVISION HISTORY | | | |
|------------------|-----|--------------------|-------------------------|
| REV | ECN | DESCRIPTION | 9/24 & DATE |
| A | | PRODUCTION RELEASE | RRR 5/18/04 IJW 5/18/04 |



- 5 REMOVE INSULATION, SOLDERED TO LEADS
- 4 CONSTRUCTION: ENCAPSULATED USING BOBBIN.
OPERATING TEMP. = - 25 °C TO 125 °C
HI-POT PRIMARY TO SECONDARY = 2500 Vrms
ONE TURN PRIMARY PEAK SENSE CURRENT = 20 A
PRIMARY BIPOLAR = 300 AMPS-µSEC RATING MAX
PRIMARY UNIPOLAR = 150 AMPS-µSEC RATING MAX
SECONDARY RATED TERMINATING RESISTANCE = 50 OHMS NOMINAL
SECONDARY DCR = 0.7 OHMS MAX
SECONDARY INDUCTANCE TEST VOLTAGE @ 15.75 KHZ = 0.5 V
SECONDARY INDUCTANCE = 5.0 mH MIN
SECONDARY TURNS = 50
SPECIFICATIONS @ 25 °C :

- 2 WIRE: UL RECOGNIZED 130 °C RATED MAGNET WIRE
CWS BYTEMARK OR OTHER APPROVED PART
CORE: FERRITE TOROID

- 1 BOBBIN RATING CLASS B (130 °C) REQUIRED
MATERIAL: UL RECOGNIZED 94V-0 FOR FLAMMABILITY

NOTES: UNLESS OTHERWISE SPECIFIED, CURRENT SENSOR.
UNIT: INCHES [MM]

| | |
|--|-----------|
| UNLESS OTHERWISE SPECIFIED | |
| DRAWING AND TOLERANCE PER ANSI Y14.5M AND [DIMETERS] | ±0.30 |
| TOLERANCE METRICS | ±0.30 |
| ANGLE PROJECTION | 1st Angle |
| DO NOT SCALE DRAWING | |

| QTY | CODE IDENT | MFG. P/N | DESCRIPTION | ITEM NO. |
|-----|------------|----------|----------------------------------|----------|
| | | | PARTS LIST | |
| | | | CURRENT SENSE TRANSFORMER | |
| | | | COIL WS COIL, INC | |
| | | | 1510 E. Edinger Ave. | |
| | | | Unit B, Santa Ana, CA, 92705 | |
| | | | Current Sense Transformer | |
| | | | SIZE DWS ML | |
| | | | 72-001 | |
| | | | SCALE | |
| | | | 2=1 | |
| | | | SHEET 1 OF 1 | |