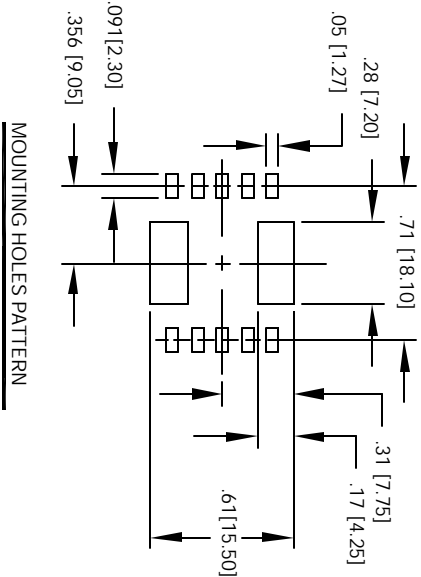
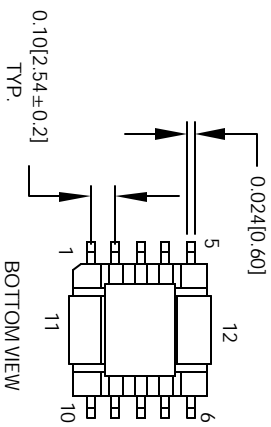
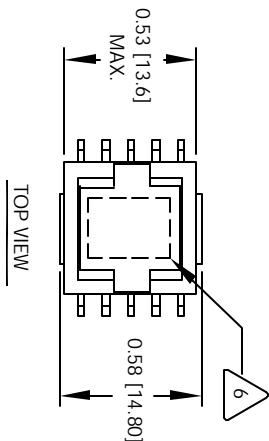
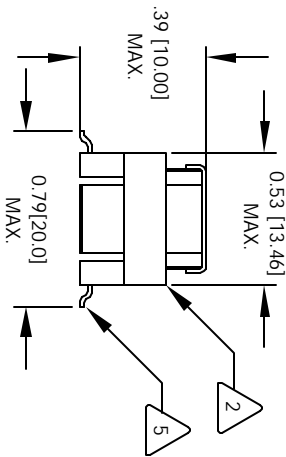
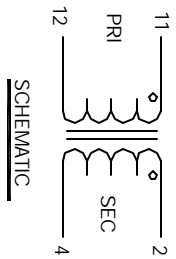


The information contained in this drawing is the sole property of CWS Coil Winding Specialist. Any reproduction in part or whole without written permission of CWS Coil Winding Specialist is prohibited.

REVISION HISTORY

REV	ECN	DESCRIPTION	DATE	DR	CHK	DATE
A		PRODUCTION RELEASE	5/24/04	RRR	JLU	5/24/04



WHERE SHOWN  
MARK PART NUMBER AND REVISION

REMOVE INSULATION, SOLDERED TO LEADS

CONSTRUCTION: ENCAPSULATED USING BOBBIN.

FREQUENCY RANGE 50 KHZ TO 100 KHZ  
OPERATING TEMP: - 25 °C TO 125 °C  
HI-POT PRIMARY TO SECONDARY = 500 Vrms  
PRIMARY CURRENT = 35 A MAX.  
SECONDARY DCR = 0.8 OHMS MAX  
SECONDARY INDUCTANCE @ 10 KHZ, 0.1 V = 2.70 mH MIN  
TURNS RATIO PRI:SEC = 1:70

SPECIFICATIONS @ 25 °C

WIRE: UL RECOGNIZED 130 °C RATED MAGNET WIRE  
CWS BYTEMARK OR OTHER APPROVED PART  
CORE: FERRITE TOROID

BOBBIN RATING CLASS B (130 °C) REQUIRED  
MATERIAL: UL RECOGNIZED 94V-0 FOR FLAMMABILITY

NOTES: UNLESS OTHERWISE SPECIFIED, CURRENT SENSOR.  
UNIT: INCHES [MM]

UNLESS OTHERWISE SPECIFIED
DRAWING AND TOLERANCE PER FIG 11.4.34M
ALL DIMENSIONS ARE IN INCHES AND (DIMETERS)
TOLERANCE NOTES:
XXXX ± .010 .XX ± 1.000
XXXX ± .010 .XX ± .31
ANGLE PROJECTION
DO NOT SCALE DRAWING

QTY	CODE	IDENT	MFG. P/N	DESCRIPTION	ITEM NO.
				<b>PARTS LIST</b>	
				<b>COILS COM, INC</b>	
				1510 E. Edinger Ave.	
				Unit B, Santa Ana, CA, 92705	
				<b>Current Sense Transformer</b>	
				SIZE DIM. ML.	
				<b>B</b>	
				SCALE <b>2=1</b>	
				REV <b>A</b>	