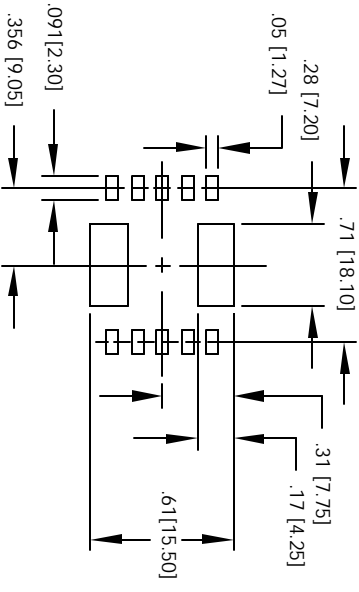
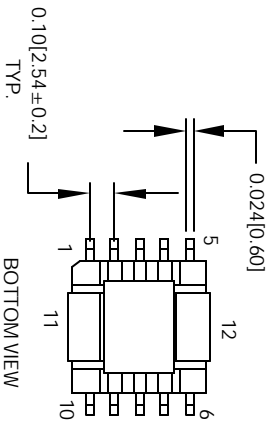
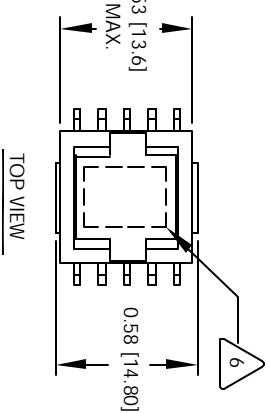
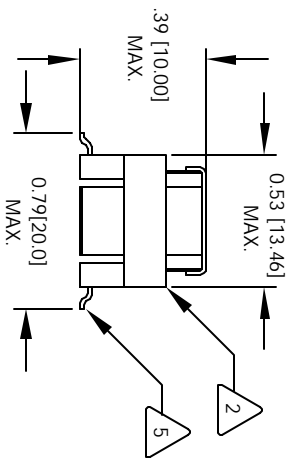
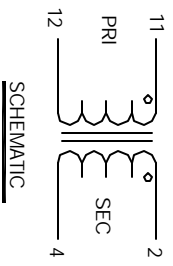


The information contained in this drawing is the sole property of CWS Coil Winding Specialist. Any reproduction in part or whole without written permission of CWS Coil Winding Specialist is prohibited.

REVISION HISTORY			
REV	ECN	DESCRIPTION	DATE
A		PRODUCTION RELEASE	5/24/04



6 WHERE SHOWN
MARK PART NUMBER AND REVISION

5 REMOVE INSULATION, SOLDERED TO LEADS

4 CONSTRUCTION: ENCAPSULATED USING BOBBIN.

3 SPECIFICATIONS @ 25 °C
 WIRE: UL RECOGNIZED 130 °C RATED MAGNET WIRE
 CWS BYTE-MARK OR OTHER APPROVED PART
 CORE: FERRITE TOROID
 BOBBIN RATING CLASS B (130 °C) REQUIRED
 MATERIAL: UL RECOGNIZED 94V-0 FOR FLAMMABILITY
 NOTES: UNLESS OTHERWISE SPECIFIED, CURRENT SENSOR.
 UNIT: INCHES [MM]

QTY	CODE	MFG. P/N	DESCRIPTION	ITEM NO.
	IDENT			
			PARTS LIST	
			CWS Coil Winding Specialist.	
			1510 E. Edinger Ave.	
			Unit B, Santa Ana, CA, 92705	
			COILS.COM, INC	
			WWW.COILS.COM	
			Current Sense Transformer	
			SIZE: 72-406	
			SCALE: 2=1	
				REV A