

The information contained in this drawing is the sole property of CWS Coil Winding Specialist. Any reproduction in part or whole without written permission of CWS Coil Winding Specialist is prohibited.

REVISION HISTORY

REV	ECN	DESCRIPTION	DATE	BY	CHK	DATE
A		PRODUCTION RELEASE	8/25/04	JLJU	JLJU	8/25/04



Note: All measurements are carried out using rms value responding meter. Unless requested the terminating resistor and the 1-turn primary are not supplied.

WHERE SHOWN
6 MARK PART NUMBER AND REVISION

5 REMOVE INSULATION, SOLDERED TO LEADS

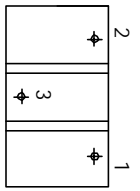
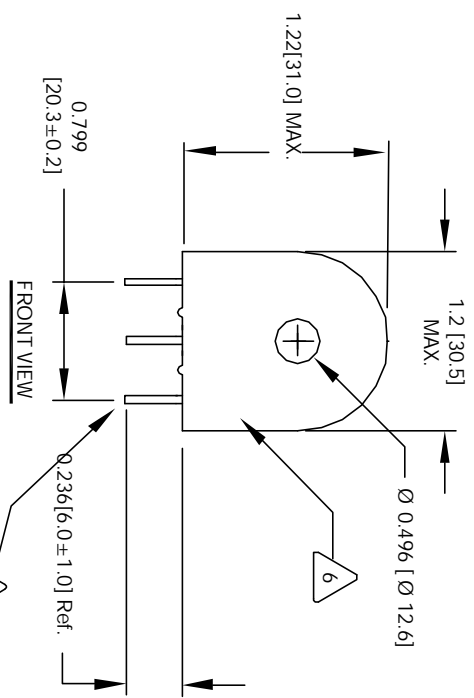
4 CONSTRUCTION: ENCAPSULATED USING BOBBIN.

- OPERATING TEMP. = - 25 °C TO 125 °C
OUTPUT VOLTAGE AT RL AND MAX (In) = 3.0 V RMS
BURDEN RESISTOR (RL) = 100 OHMS
DC RESISTANCE @ 25 °C = 45 OHMS MAX
MAX AMPLITUDE ERROR WITHIN RANGE OF (In) = 5 %
ACCURACY CLASS = ± 5 %
= 80 AMPS RMS MAX.
MAX AC PRIMARY CURRENT WITHOUT SATURATION (I max),
= 30 AMPS RMS NOMINAL.
PRIMARY CURRENT RANGE WITH DEFINED ERROR TOLERANCES (In),
SPECIFICATIONS @ 25 °C :

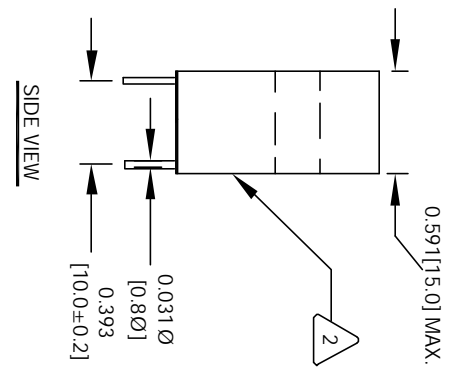
- WIRE: UL RECOGNIZED 130 °C RATED MAGNET WIRE
CWS BYTEMARK OR OTHER APPROVED PART
CORE: FERRITE TOROID

- BOBBIN RATING CLASS B (130 °C) REQUIRED
MATERIAL: UL RECOGNIZED 94V-0 FOR FLAMMABILITY
- NOTES: UNLESS OTHERWISE SPECIFIED, CURRENT SENSOR,
UNIT: INCHES [MM]

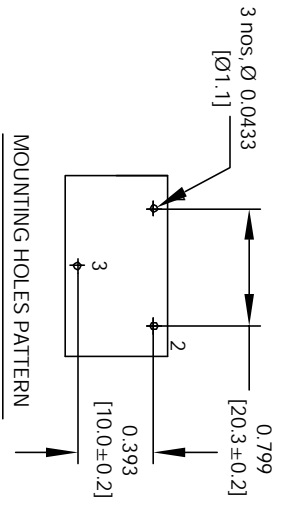
EP FORM0005 REV 3 10/01



BOTTOM VIEW



SIDE VIEW



MOUNTING HOLES PATTERN

QTY	CODE	MFG. P/N	DESCRIPTION	ITEM NO.
	IDENT			
PARTS LIST				
AUTOCAD		X		
SOLIDWORKS				
SIGN	DATE	CWS Coil Winding Specialist.		
		1510 E. Edinger Ave		
		Unit B, Santa Ana, CA, 92705		
TITLE: Current Sense Transformer				
DRAWN	DATE	SIZE	SCALE	REV
DRW	8/25/04	DWG. NO.		A
ENGR	8/25/04	CT-1602-ST	2=1	
APPR	8/25/04			
JLJU				
DO NOT SCALE DRAWING				

CAD-FILE: