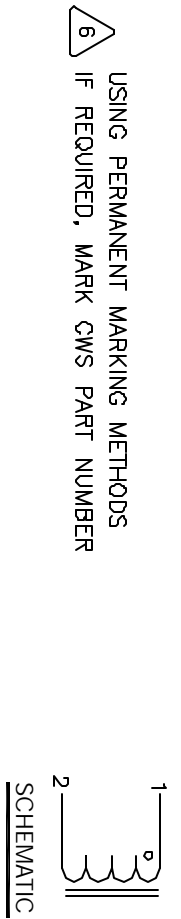


The information contained in this drawing is the sole property of CWS Coil Winding Specialist. Any reproduction in part or whole without written permission of CWS Coil Winding Specialist is prohibited.

REVISION HISTORY			
REV	ECN	DESCRIPTION	DATE
A		PRODUCTION RELEASE	7/22/04



- 6 USING PERMANENT MARKING METHODS
- IF REQUIRED, MARK CWS PART NUMBER
- LEADS MUST BE CO-PLANAR WITH FLAT SURFACE
- REMOVE INSULATION, TIN LEADS SECTION THAT WRAP AROUND BOBBIN

- 5 WIND COILS EVENLY SPACED
- CONSTRUCTION:

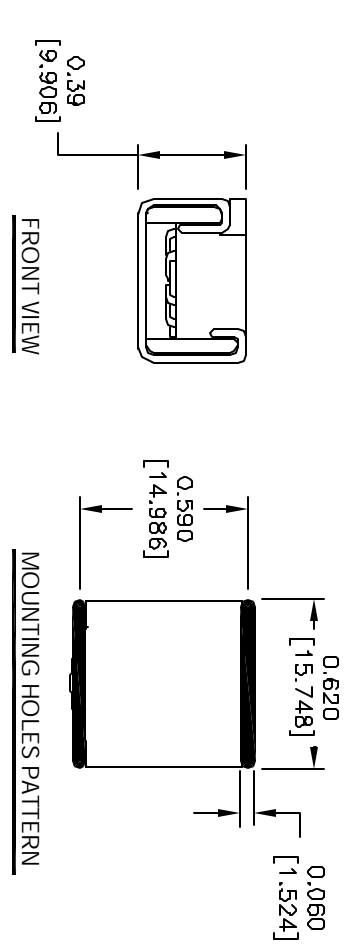
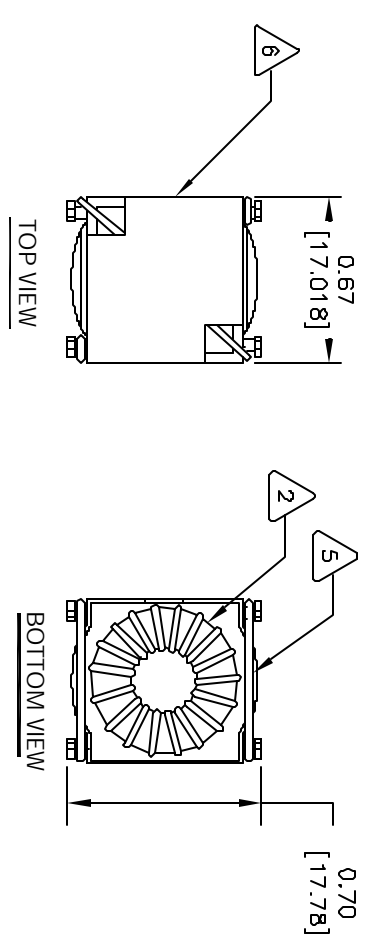
HI-POT TEST FOR WINDING TO CORE ISOLATION = 500 VDC MIN  
 SRF = 2.0 MHZ MIN.  
 CURRENT RATING = 1.97 AMPS, 40 °C TEMP. RISE, NO AIR FLOW  
 DCR = 140.0 MILLI-OHMS

DC BIAS OF 1.6 AMPS, INDUCTANCE = 160.0 UH  
 L = 200 uH ± 10 % @ LOW DC BIAS, 1 KHZ; 250 mV  
 SPECIFICATIONS:

- 2 WIRE: UL RECOGNIZED 155°C RATED MAGNET WIRE
- CWS BYTEMARK OR OTHER APPROVED PART
- CORE: COATED HIGH FLUX TOROID

RATING CLASS B (130°C MIN.) REQUIRED  
 MATERIAL: UL RECOGNIZED 94V-0 FLAMMABILITY  
 NOTES: SURFACE MOUNT INDUCTOR

EP FORM0005 REV 3 10/01



CODE IDENT	MFG. P/N	DESCRIPTION	ITEM NO.
AUTOCAD SOLIDWORKS SKIN	X		
DATE			
PARTS LIST			
DRAWN RFR		CWS Coil Winding Specialist.	
DATE 7/22/04		1510 E. Edinger Ave.	
CHECK TDK		Vik. B. Santa Ana, CA, 92705	
DATE 7/22/04			
APPR. JLAU		TITLE: Surface Mount Power Chokes	
DATE 7/22/04			
APPR. JLAU		SIZE (INCHES): SHF127-201M-2.0A	
DATE 7/22/04		SCALE: B	
APPR. JLAU		1=1	
DATE 7/22/04		SHEET 1 OF 1	
APPR. JLAU		REV A	
DATE 7/22/04			

CAD-FILE: