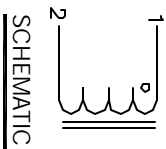


The information contained in this drawing is the sole property of CWS Coil Winding Specialist. Any reproduction in part or whole without written permission of CWS Coil Winding Specialist is prohibited.

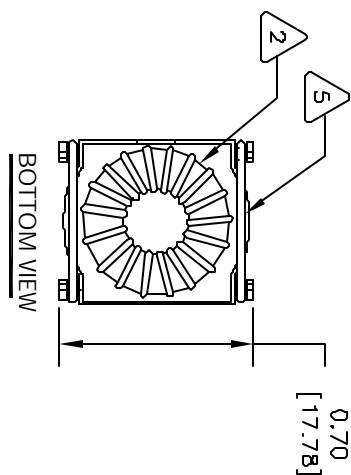
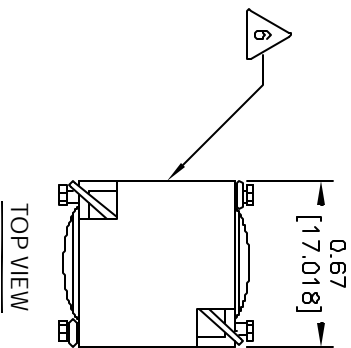
REVISION HISTORY

REV	ECN	DESCRIPTION	SRN & DATE
A		PRODUCTION RELEASE	TKK 7/22/04

- 6 USING PERMANENT MARKING METHODS
- IF REQUIRED, MARK CWS PART NUMBER



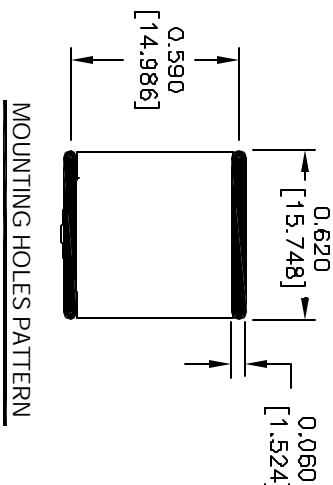
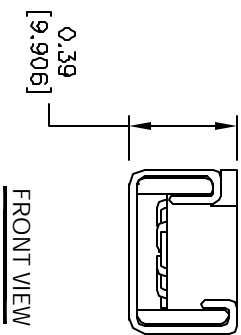
- 5 LEADS MUST BE CO-PLANAR WITH FLAT SURFACE
- REMOVE INSULATION, TIN LEADS SECTION THAT WRAP AROUND BOBBIN



- 4 WIND COILS EVENLY SPACED

HI-POT TEST FOR WINDING TO CORE ISOLATION = 500 VDC MIN
 SRF = 7.0 MHZ MIN.
 CURRENT RATING = 3.93 AMPS, 40 °C TEMP. RISE, NO AIR FLOW
 DCR = 35.0 MILLI-OHMS

- 3 DC BIAS OF 3.1 AMPS, INDUCTANCE = 40.0 UH
- L = 50 UH ± 10 % @ LOW DC BIAS, 1 KHZ; 250 mV
- SPECIFICATIONS:



- 2 WIRE: UL RECOGNIZED 155°C RATED MAGNET WIRE
- CWS BYTEMARK OR OTHER APPROVED PART
- CORE: COATED HIGH FLUX TOROID

- 1 RATING CLASS B (130°C MIN.) REQUIRED
 - MATERIAL: UL RECOGNIZED 94V-0 FLAMMABILITY
- NOTES: SURFACE MOUNT INDUCTOR

CODE	IDENT	MFG. P/N	DESCRIPTION	ITEM NO.
AUTOCAD	X			
SOLIDWORKS				
SKIN				
DATE				
DRAWN	RFR	7/22/04		
CHECKED	TDK	7/22/04		
ENGR.	JLAV	7/22/04		
APPR.	JLAV	7/22/04		
DATE				
SIZE	INCH			
SCALE	B			
SCALE	1=1			

UNLESS OTHERWISE SPECIFIED	TOLERANCE PER ANSI Y14.3M	ALL DIMENSIONS ARE IN INCHES	AND (DIMENSIONS).
TOLERANCE INCHES:	0.005-0.010	0.010-0.030	0.030-0.060
TOLERANCE METERS:	0.001-0.002	0.002-0.005	0.005-0.010
ANGLE PROJECTION	1ST ANGLE		
DO NOT SCALE DRAWING			

PARTS LIST	DESCRIPTION	ITEM NO.
CWS COIL WINDING SPECIALIST		
1510 E. Edinger Ave.		
Unit B, Santa Ana, CA, 92705		
COILS.COM, INC		
WWW.COILS.COM		
Surface Mount		
Power Chokes		
SHF127-500M-4.0A		
REV A		
SHEET 1 OF 1		