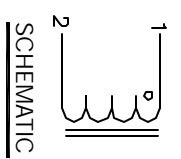


The information contained in this drawing is the sole property of CWS Coil Winding Specialist. Any reproduction in part or whole without written permission of CWS Coil Winding Specialist is prohibited.

REVISION HISTORY

REV	ECN	DESCRIPTION	SBN & DATE	DR	DATE	CHK	DATE
A		PRODUCTION RELEASE		TKK	7/22/04	TKK	7/22/04

- 6 USING PERMANENT MARKING METHODS
- IF REQUIRED, MARK CWS PART NUMBER



- 5 LEADS MUST BE CO-PLANAR WITH FLAT SURFACE
- REMOVE INSULATION, TIN LEADS SECTION THAT WRAP AROUND BOBBIN

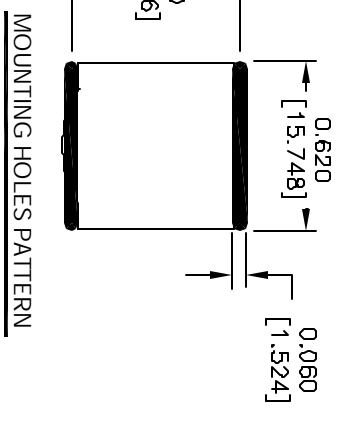
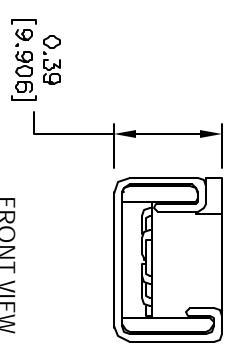
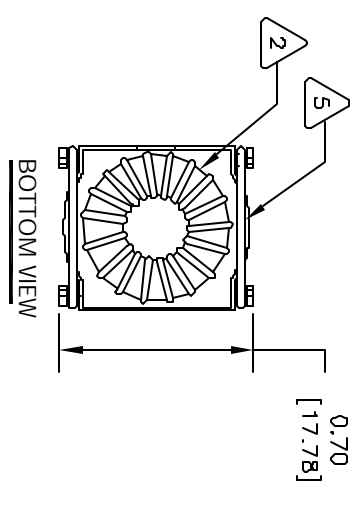
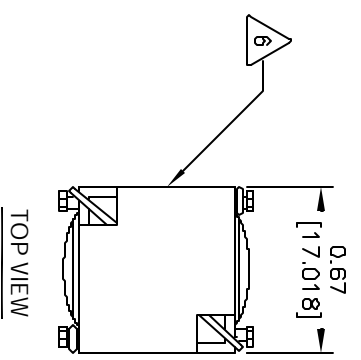
- 4 WIND COILS EVENLY SPACED
- CONSTRUCTION:

HI-POT TEST FOR WINDING TO CORE ISOLATION = 500 VDC MIN
 SRF = 5.0 MHZ MIN.
 CURRENT RATING = 3.47 AMPS, 40 °C TEMP. RISE, NO AIR FLOW
 DCR = 45.0 MILLI-OHMS

- 3 DC BIAS OF 2.5 AMPS, INDUCTANCE = 60.0 UH
- L = 75 UH ± 10 % @ LOW DC BIAS, 1 KHZ; 250 mV
- SPECIFICATIONS:

- 2 WIRE: UL RECOGNIZED 155°C RATED MAGNET WIRE
- CWS BYTEMARK OR OTHER APPROVED PART
- CORE: COATED HIGH FLUX TOROID

- 1 RATING CLASS B (130°C MIN.) REQUIRED
 - MATERIAL: UL RECOGNIZED 94V-0 FLAMMABILITY
- NOTES: SURFACE MOUNT INDUCTOR



CODE IDENT	MFG. P/N	DESCRIPTION	ITEM NO.
AUTOCAD SOLIDWORKS SKIN	X		
DATE			
PARTS LIST			
DRAWN RFR		CWS Coil Winding Specialist.	
DATE 7/22/04		1510 E. Edinger Ave.	
CHKD TDK		Vik B. Santos Anal. CA, 92705	
DATE 7/22/04			
APPR. JLAU		TITLE: Surface Mount Power Chokes	
DATE 7/22/04			
SIZE B		SHF127-750M-3.5A	
SCALE 1=1		REV A	
DO NOT SCALE DRAWING		SHEET 1 OF 1	