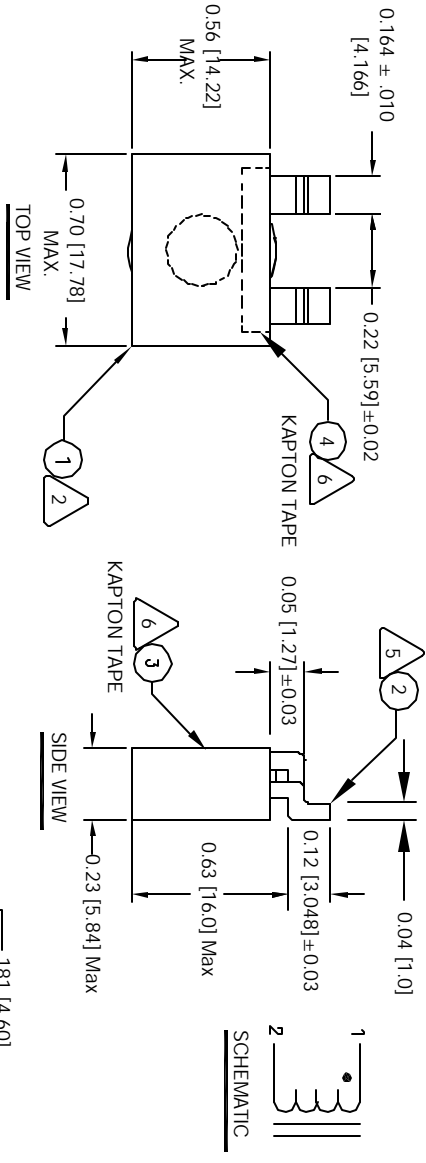


The information contained in this drawing is the sole property of CWS Coil Winding Specialist. Any reproduction in part or whole without written permission of CWS Coil Winding Specialist is prohibited.

REVISION HISTORY

REV	ECN	DESCRIPTION	DATE	BY	CHK	DATE
G		PRODUCTION RELEASE	7/22/05	RRR	JLU	7/22/05



7 BUILT TO ROHS COMPLIANCE AND LEAD FREE.

WHERE SHOWN, USING A PERMANENT MARKING METHOD MARK PART NUMBER AND REVISION BOTTOM CORE LOCATED AS SHOWN

APPLY ONE KAPTON TAPE TO COVER THE EDGES OF

5 THE SMT LEADS MUST REST FLAT ON PCB, CO-PLANAR APPLY WINDING AND CORE WITH EPOXY 2 PART A&B (600°F, 315°C) REMOVE INSULATION AND TIN LEADS APPROX. 0.12 INCH

4 HELIX WIND 2-3/4 TURNS TIGHT TO CORE AND EVENLY SPACED CONSTRUCTION:

HI-POT (2 SECOND, 5mA MAX.) 300 VRMS WINDING TO CORE
DCR = 0.7 MILLI-OHM, MAX.
CURRENT RATING = 60 AMPS DC, MAX
L = 0.70UH ± 20%, 100 KHZ, 0.250 Vrms, 0 AMPS DC
SPECIFICATIONS @ 25°C

3 EPOXY: 2 PARTS A & B (600°F, 315°C)
WIRE: UL RECOGNIZED 200°C RATED MAGNET WIRE, JIS C3102
CWS BYTEMARK OR OTHER APPROVED PART,
CORE: HIGH FLUX

2 HELICAL COIL RATING 200°C REQUIRED
MATERIAL: UL RECOGNIZED 94V-0 FOR FLAMMABILITY

NOTES: UNLESS OTHERWISE SPECIFIED, READ FROM BOTTOM UP.

A/R	QTY	UM	CODE	IDENT	MFG. P/N	DESCRIPTION	ITEM NO.
1	1	EA	CWS	8265-S		EPOXY 2 PARTS A&B (600°F, 315°C)	5
1	1	EA	CWS	KAPTON TAPE		KAPTON TAPE, 0.25 Wx .42	4
1	1	EA	CWS	E128174		BLK. KAPTON TAPE, 0.375" W x 2.0"	3
2	2	EA	CWS	5293		RIBBON WIRE	2
2	2	EA	CWS			HIGH FLUX CORE	1

AUTOCAD		X		TITLE:		CWS Coil Winding Specialist.	
SOLIDWORKS	SIGN	DATE		DATE		1510 E. Edinger Ave	1510 E. Edinger Ave
						Unit B, Santa Ana, CA 92705	Unit B, Santa Ana, CA 92705
UNLESS OTHERWISE SPECIFIED							
TOLERANCE PER NAS 11.5M							
ALL DIMENSIONS ARE IN INCHES AND [MILLIMETERS]							
TOLERANCE INCHES							
±.005 ±.015							
TOLERANCE METERS							
±.127 ±.003							
ANGLE PROJECTION							
DO NOT SCALE DRAWING							

SCALE	4=1	SHEET	1	OF	1
-------	-----	-------	---	----	---

60 Amps Output Choke
(4.5 mm x 0.8 mm 2-3/4T)

CWS-5293A