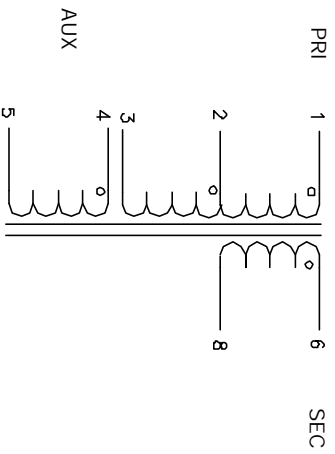


The information contained in this drawing is the sole property of CWS Coil Winding Specialist. Any reproduction in part or whole without written permission of CWS Coil Winding Specialist is prohibited.

REVISION HISTORY

| REV | ECN | DESCRIPTION | SIGN & DATE | | |
|-----|-----|--------------------|-------------|----------|----------|
| | | | BY | DATE | DATE |
| A | | PRODUCTION RELEASE | TKD | 10/01/05 | 10/01/05 |



SCHEMATIC

6 MARK PART NUMBER AND REVISION

5 BUILT TO ROHS COMPLIANCE AND LEAD FREE.

N5 (4-5): START AT 4 & FINISH AT 5
 N4 (2-3): START AT 2 & FINISH AT 3
 N2 (6-8): START AT 6 & FINISH AT 8
 N1 (1-2): START AT 1 & FINISH AT 2. DOT ON PIN 1

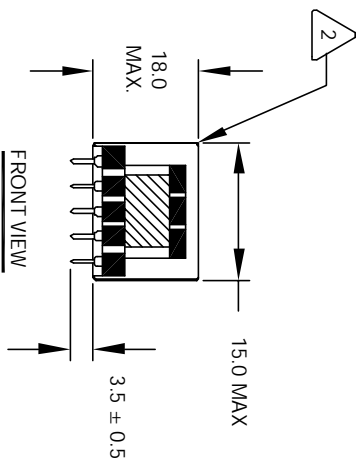
4 CONSTRUCTION:

- LEAKAGE L (1-3) = 17.8 uH MAX, 40 KHZ, 0.25V
- HI-POT PRIMARY & SECONDARY TO CORE = 1.0 KVAC, 1 mA, 1 MIN
- HI-POT PRIMARY TO SECONDARY = 1.5 KVAC, 1 mA, 1 MIN
- DCR (1-3) = 3.5 OHMS MAX.
- L (1-3) = 890.0 uH ± 10%, 40 KHZ, 0.25V.
- SPECIFICATIONS @ 25 °C :

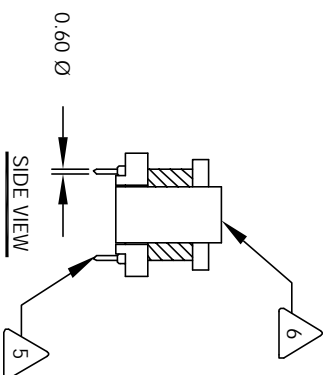
3 VARNISH: UL NO. E51047
 TAPE: UL NO. E178516
 WIRE: UL RECOGNIZED 130°C, MW75C
 CORE: FERRITE , CWS BYTEMARK

2 BOBBIN RATING CLASS B (130°C), UL NO. E59481
 1 MATERIAL: UL RECOGNIZED 94V-0 FOR FLAMMABILITY

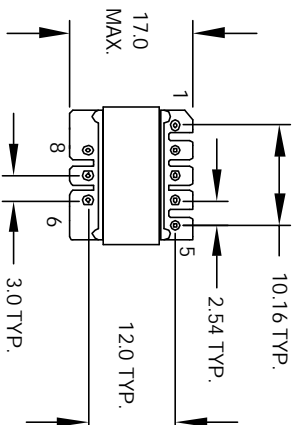
NOTES: UNLESS OTHERWISE SPECIFIED, READ FROM BOTTOM UP.



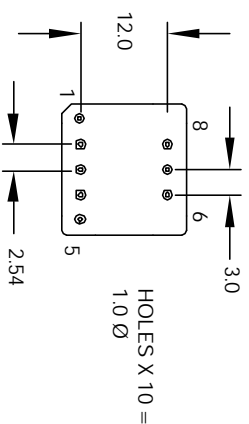
FRONT VIEW



SIDE VIEW



BOTTOM VIEW



MOUNTING HOLES PATTERN

| QTY | CODE IDENT | MFG. P/N | DESCRIPTION | ITEM NO. |
|--------------------------------------------|------------|------------------------------------|-------------------|--------------|
| | | | PARTS LIST | |
| | AUTOCAD | X | | |
| | SOLIDWORKS | | | |
| | SIGN | DATE | | |
| | DRAWN | TDK | 10/01/05 | |
| | DESIGN | JLJU | 10/01/05 | |
| | ENGR | KSUM | 10/01/05 | |
| | APPR | JLJU | 10/01/05 | |
| UNLESS OTHERWISE SPECIFIED | | MFG. P/N | | |
| DIMENSIONING AND TOLERANCE PER ANSI Y14.5M | | DESCRIPTION | | |
| ALL DIMENSIONS ARE IN MILLIMETERS | | CWS Coil Winding Specialist. | | |
| TOLERANCE INCHES: .XX ±.010 .X ±.020 | | 353 WEST GROVE AVE | | |
| TOLERANCE METERS: .XX ±.254 .X ±.51 | | Bldg 7, ORANGE, CA, 92665 | | |
| ANGLE PROJECTION | | TITLE | | |
| DO NOT SCALE DRAWING | | Power Integration SMPS Transformer | | |
| | | SIZE | DWG. NO. | REV |
| | | B | TS221-Y01MS | A |
| | | SCALE | 1=1 | SHEET 1 OF 1 |