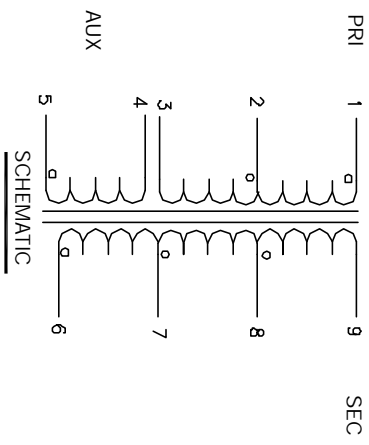


The information contained in this drawing is the sole property of CWS Coil Winding Specialist. Any reproduction in part or whole without written permission of CWS Coil Winding Specialist is prohibited.



6 MARK PART NUMBER AND REVISION

5 BUILT TO ROHS COMPLIANCE AND LEAD FREE.

- 4 CONSTRUCTION:
- N6 (5-4): START AT 5 & FINISH AT 4
 - N5 (2-3): START AT 2 & FINISH AT 3
 - N4 (8-9): START AT 8 & FINISH AT 9
 - N3 (7-8): START AT 7 & FINISH AT 8
 - N2 (6-7): START AT 6 & FINISH AT 7
 - N1 (1-2): START AT 1 & FINISH AT 2. DOT ON PIN 1

- LEAKAGE L (1,3) = 3.9 uH MAX, 40 KHZ, 1V
- HI-POT PRIMARY & SECONDARY TO CORE = 1.0 KVAC, 1 mA, 1 MIN
- HI-POT PRIMARY TO SECONDARY = 1.5 KVAC, 1 mA, 1 MIN
- DCR (1-3) = 0.35 OHMS MAX.
- L (1-3) = 263.0 uH ± 10%, 40 KHZ, 0.25V.
- 3 SPECIFICATIONS @ 25 °C:

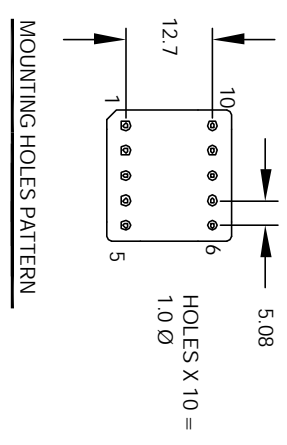
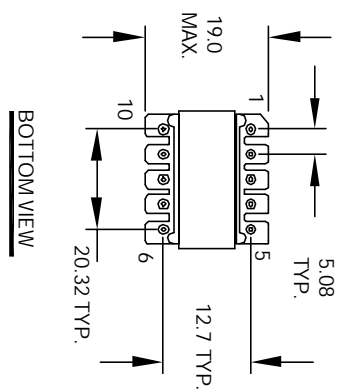
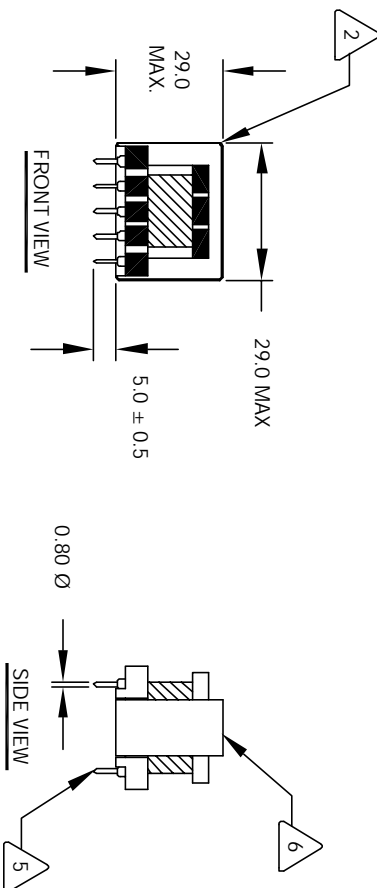
2 CORE: FERRITE , CWS BYTEMARK

- VARNISH: UL NO. E51047
- TAPE: UL NO. E178516
- WIRE: UL RECOGNIZED 130°C, MW75C
- 1 BOBBIN RATING CLASS B (130°C), UL NO. E59481
- MATERIAL: UL RECOGNIZED 94V-0 FOR FLAMMABILITY

NOTES: UNLESS OTHERWISE SPECIFIED, READ FROM BOTTOM UP.

EP FORM0005 REV 3 10/01

REVISION HISTORY		SIGN & DATE		
REV	ECN	DESCRIPTION	BY	DATE
A		PRODUCTION RELEASE	TDK	10/01/05



QTY	CODE	IDENT	MFG. P/N	DESCRIPTION	ITEM NO.
	AUTOCAD	X			
	SOLIDWORKS				
	SIGN	DATE			
	DRAWN	TDK	10/01/05		
	DESIGN	JLJU	10/01/05		
	ENGR.	KSUM	10/01/05		
	APPR.	JLJU	10/01/05		
	SCALE	B	SIZE DIM. IN		
		1=1	TS234-Y02MS		REV A
			Power Integration SMPS Transformer		
			1=1		SHEET 1 OF 1

CAD-FILE:

PARTS LIST

COLWS.COM, INC
353 WEST GROVE AVE
Bldg 7, ORANGE, CA, 92665

CWS Coil Winding Specialist.