



c



e

f

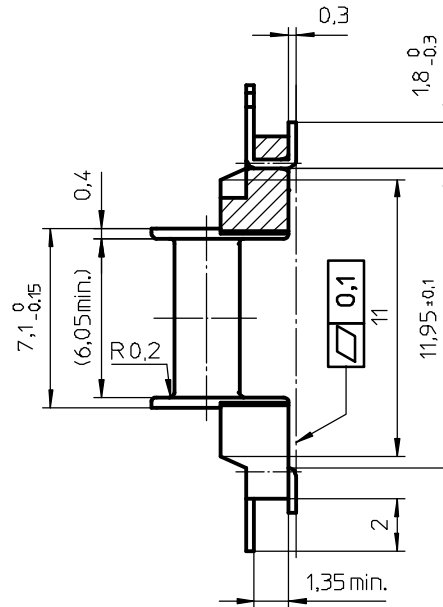
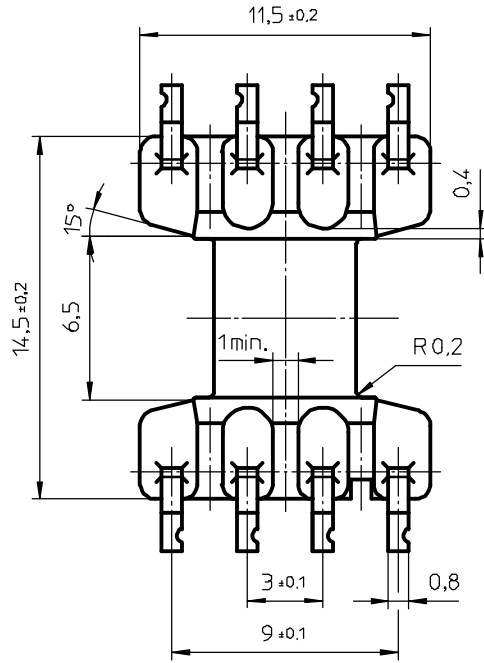
1 2 3 4 5 6 7 8

a

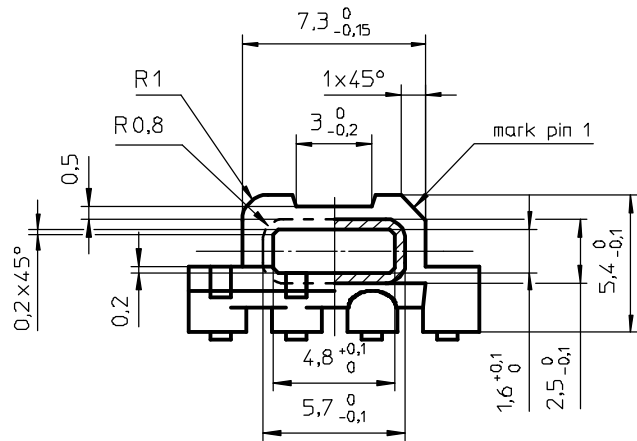
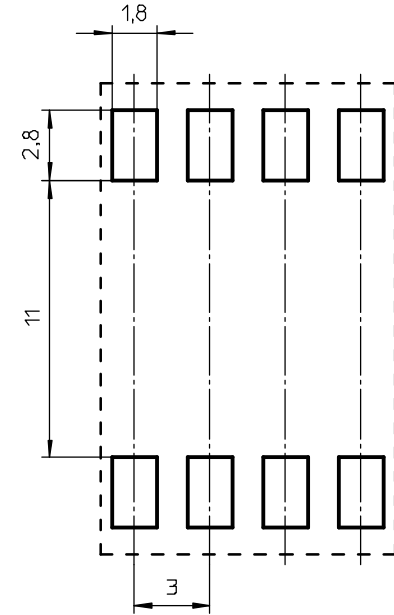
b

c

d



PROPOSED PAD ARRANGEMENT :



Coil former material: Sumikasuper E4008 (LCP), glass-reinforced.
 UL file number: E54705(M) - UL94V-0.
 Pin material: Phosphor bronze, Ni flash, Sn plated.
 Max. operating temp.: acc. to IEC 60 085 class F, 155°C.
 Resistance to soldering heat: acc. to IEC 60 068-2-20 Part 2, Test Tb, method 1B, 350°C - 3,5s
 Solderability: acc. to IEC 60 068-2-20 Part 2, Test Ta, method 1, 235°C - 2s
 Min. winding area: 4,2 mm².
 Mean length of turn: 14,8 mm.

CLASS NO.		CPHS-EFD10-1S-8P		4322 021 00561		92-10-30
96-10-30						93-10-08
						96-05-06
						96-10-30
						04-04-02
NAME M.Veekens	SUPERS VERV.	001	SP BL	112 - 001	069	A3
MPA	CHECK CONTR.	DATE	92-10-30	Property of Eigendoms van	© FERROXCUBE 2000	