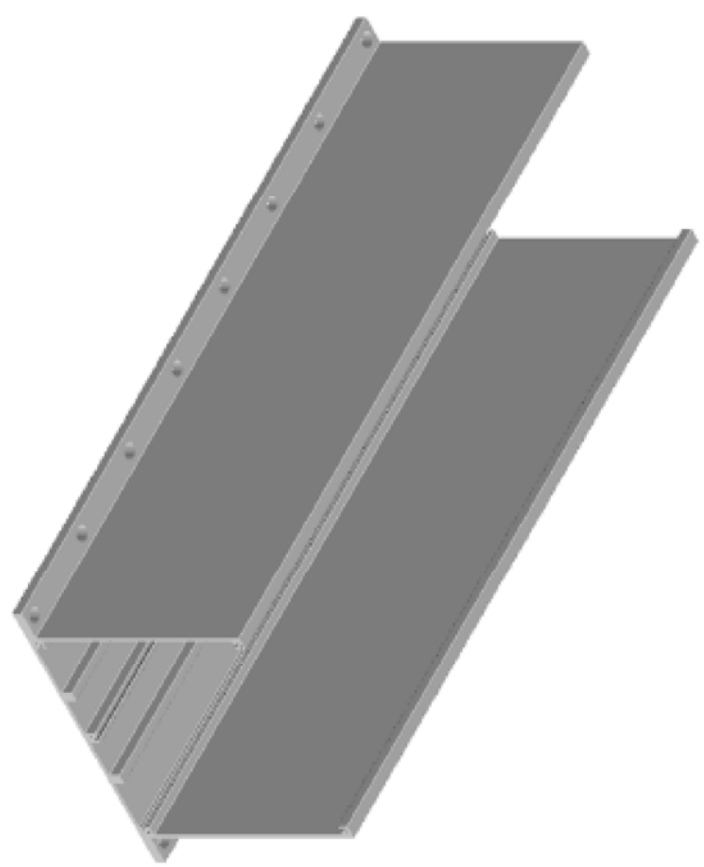
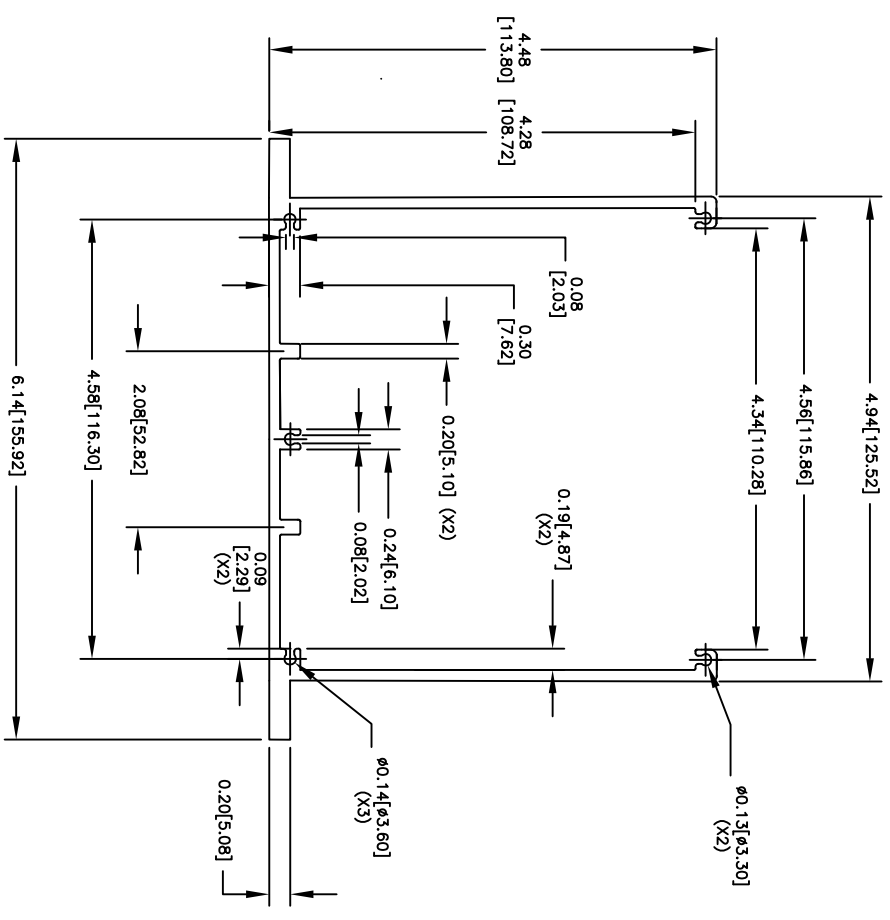


The information contained in this drawing is the sole property of CWS Coil Winding Specialist. Any reproduction in part or whole without written permission of CWS Coil Winding Specialist is prohibited.

REVISION HISTORY

REV	ECN	DESCRIPTION	SIGN & DATE			
			BY	DATE	CHK	DATE
A		DRAWING RELEASE	TN	01/24/22	JL	01/24/22
B		REVISED PART NUMBER	TN	01/26/22	JL	01/26/22



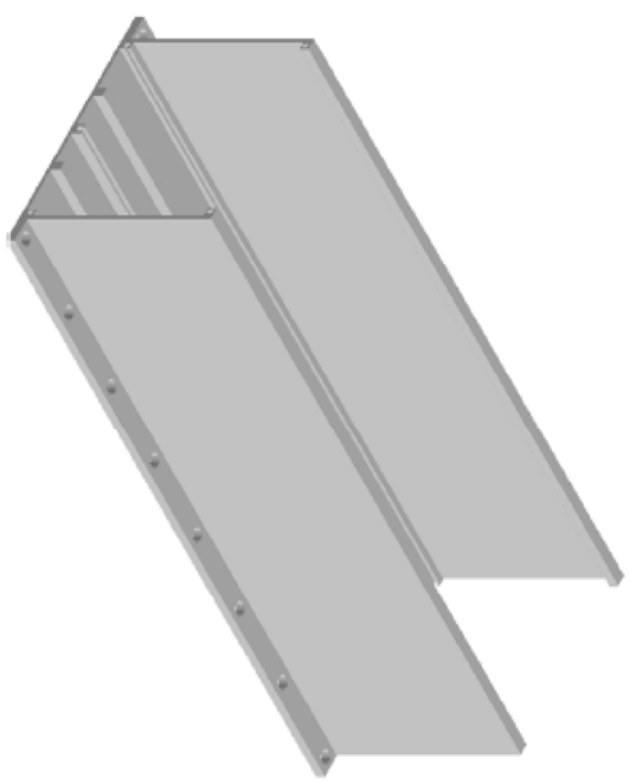
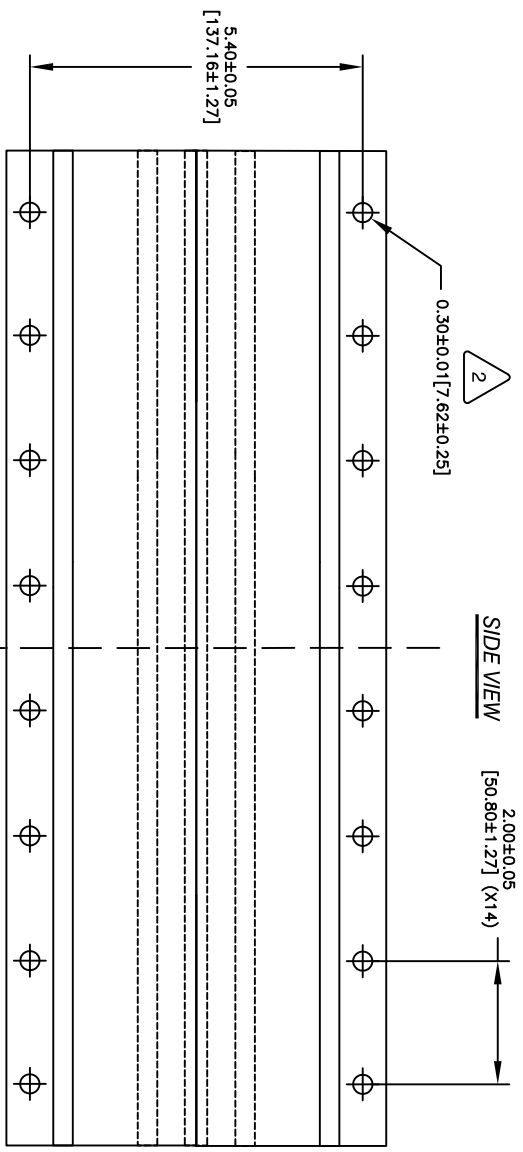
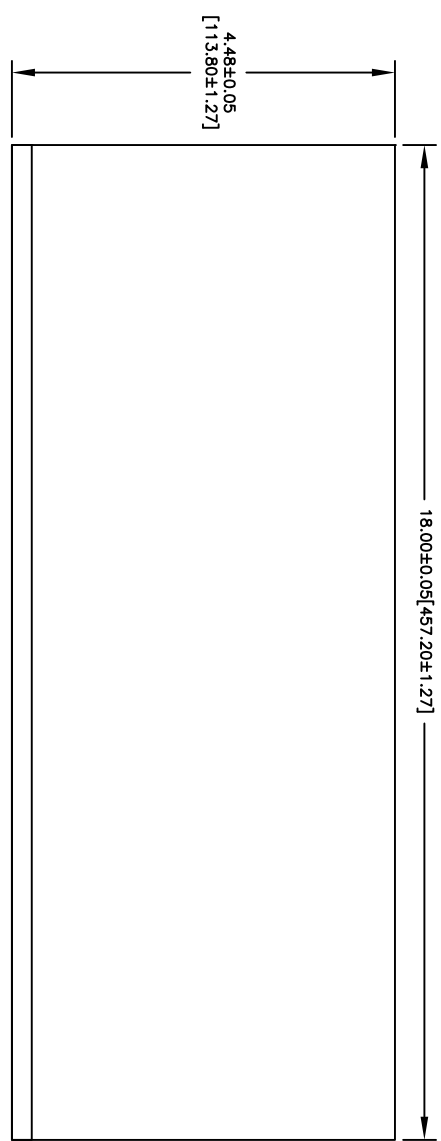
UNLESS OTHERWISE SPECIFIED		AUTOCAD		X	
DIMENSIONING AND TOLERANCE PER ANSI Y14.5M AND [MILLIMETERS]		SOLIDWORKS			
TOLERANCE INCHES: .XXX=±.005 XX=±.015 X=±.030		SIGN		DATE	
TOLERANCE METRICS: .XXX=±.127 XX=±.254 X=±.38		DRAWN		01/24/22	
ANGLE PROJECTION		CHKD		01/24/22	
DO NOT SCALE DRAWING		ENGR		01/24/22	
		APPR		01/24/22	
TITLE:		SIZE		DWG. NO.	
COILWS.COM, INC		B		009CS-EN002	
WWW.COILWS.COM		SCALE		NOT TO SCALE	
CWS Coil Winding Specialist.		SHEET		1 OF 2	
353 W GROVE AVE		REV		B	
ORANGE, CA. 92865		DATE		01/24/22	

1 MATERIAL: ALUMINUM

The information contained in this drawing is the sole property of CMS Coil Winding Specialist. Any reproduction in part or whole without written permission of CMS Coil Winding Specialist is prohibited.

REVISION HISTORY

REV	ECN	DESCRIPTION	SIGN & DATE			
			BY	DATE	CHK	DATE
A		DRAWING RELEASE	TN	01/24/22	JL	01/24/22
B		REVISED PART NUMBER	TN	01/28/22	JL	01/26/22



2 AND IT COULD BE CHANGED DEPENDING ON THE LENGTH OF THE CASE.  
THE NUMBER OF HOLES SHOWN IS FOR ILLUSTRATION PURPOSE ONLY

1 MATERIAL: ALUMINUM

BOTTOM VIEW

AUTOCAD SOLIDWORKS		X		COLIWS COM, INC WWW.COLIWS.COM		CWS Coil Winding Specialist. 353 W GROVE AVE ORANGE, CA. 92865	
UNLESS OTHERWISE SPECIFIED	DRAWN TN	DATE	01/24/22	TITLE:	ALUMINUM CASE		
DIMENSIONING AND TOLERANCE PER ANSI Y14.5M AND [MILLIMETERS]	CHKD JM	DATE	01/24/22	SIZE	Dwg. No. 009CS-EN002		
TOLERANCE INCHES: XXX=±.005 XX=±.015 X=±.030	ENGR JL	DATE	01/24/22	SCALE	NOT TO SCALE		
TOLERANCE METRICS: XXX=±.127 XX=±.38 X=±.95	APPR JL	DATE	01/24/22	REV	B		
ANGLE PROJECTION				SHEET	2 OF 2		
DO NOT SCALE DRAWING							