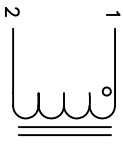


The information contained in this drawing is the sole property of Coil Winding Specialist Inc. (CWS). Any reproduction in part or whole without written permission of CWS is prohibited.

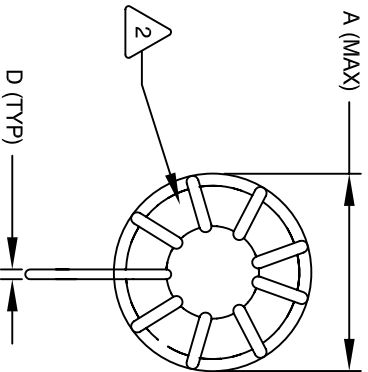
DIMENSIONAL TOLERANCE INCHES [MM]					
A(OD) Max	B(WIDTH) Max	C(LEAD) Min	D(LEAD DIA) TYP	E (Min/Max)	P1 Ref
1.10 [28.0]	0.79 [20.0]	0.5 [12.7]	0.08 [1.98]		0.66 [16.7]

REVISION HISTORY				SIGN & DATE		
REV	ECN	DESCRIPTION	BY	DATE	CHK	DATE
A	-	PRODUCTION RELEASE	RLL	02/25/11	JCL	02/25/11

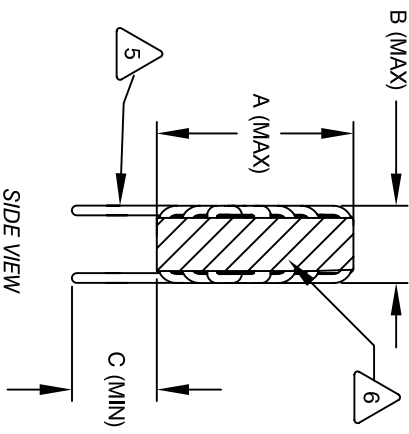


SCHEMATIC

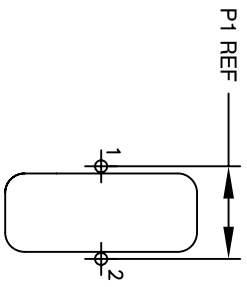
INDUCTANCE VS. CURRENT		
L (typ)	DC or AC (rms) Current	
10 uH	0 AMP	
10 uH	2 AMP	
10 uH	4 AMP	
10 uH	6 AMP	
9.9 uH	8 AMP	
9.6 uH	10 AMP	
9.2 uH	12 AMP	
8.6 uH	14 AMP	
7.9 uH	16 AMP	
7.0 uH	18 AMP	
6.0 uH	20 AMP	



FRONT VIEW



SIDE VIEW



MOUNTING HOLES PATTERN

- 1 RATING CLASS F (155°C) REQUIRED
- 2 WIRE: UL RECOGNIZED 155°C RATED MAGNET WIRE
CWS BYTEMARK OR OTHER APPROVED PART
CORE: AMORPHOUS CORE
- 3 SPECIFICATIONS:
WIND COIL EVENLY SPACED AROUND THE CORE
CONSTRUCTION:
WEIGHT: 24 GRAM
OPERATING TEMP.: -55°C TO 120°C
HI-POT TEST FOR WINDING TO CORE ISOLATION = 1250 VDC 5 SEC
DISTRIBUTED CAPACITANCE @10 KHz = 8.26 pF
TEMP. RISE AT RATED CURRENT: <30°C
SRF = 17.5 MHz
DCR = 1.8 MILLI-OHMS MAX.
SEE TABLE FOR INDUCTANCE VS CURRENT
CURRENT RATING = 20 AMPS
INDUCTANCE = 10 uH ±15% @ 0AMP DC BIAS, 10 KHz, 250mV
- 4 WIND TO ROHS COMPLIANCE
- 5 CHOKES, HI-FI SYSTEMS, ETC.
APPLICATION: AUDIO CROSSOVER
MARK PART NUMBER AND REVISION
WRAP INDUCTOR WITH 3M #69 OR EQUAL
- 6 FLUSH WITH THE COIL EDGE
REMOVE INSULATION AND TIN LEADS 0.50 INCH

NOTES: TOROIDAL POWER CHOKE. ALL DIMENSIONS IN INCHES[MM]

CODE IDENT	MFG. P/N	DESCRIPTION	ITEM NO.
AUTOCAD SOLIDWORKS	X		
SIGN	DATE		
DRAWN GN	2/28/11		
CHECKD AK	2/28/11		
ENGR. JLAU	2/28/11		
APPR. JLAU	2/28/11		
TITLE:		Audio Inductor Choke	
		Amorphous Inductor	
		10 uH, 20 Amp	
SIZE	DWG. NO.	AC-100U-20A	REV A
B			
SCALE		NOT TO SCALE	SHEET 1 OF 1

PARTS LIST

www.coilws.com
sales@coilws.com
Coil Winding Specialist, Inc.
353 W Grove Ave
Orange, CA 92865