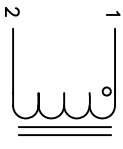


The information contained in this drawing is the sole property of Coil Winding Specialist Inc. (CWS) Any reproduction in part or whole without written permission of CWS is prohibited.

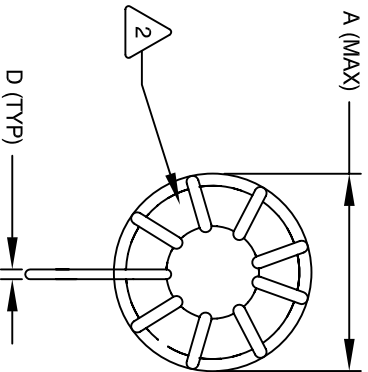
DIMENSIONAL TOLERANCE INCHES [MM]					
A(OD) Max	B(WIDTH) Max	C(LEAD) Min	D(LEAD DIA) TYP	E (Min/Max)	P1 Ref
0.90 [22.8]	0.60 [15.3]	0.5 [12.7]	0.06 [1.50]		0.55 [14.0]

REVISION HISTORY			SIGN & DATE		
REV	ECN	DESCRIPTION	BY	DATE	DATE
A	-	PRODUCTION RELEASE	RLL	02/25/11	02/25/11

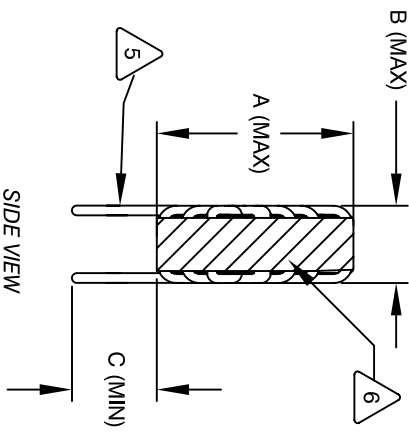


SCHEMATIC

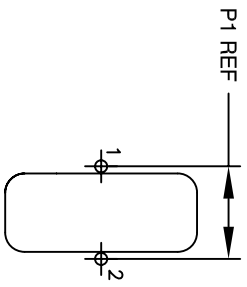
INDUCTANCE VS. CURRENT		
L (typ)	DC or AC (rms) Current	
1.44 mH	0.0 AMP	
1.38 mH	0.5 AMP	
1.32 mH	1.0 AMP	
1.15 mH	1.5 AMP	
537 uH	2.0 AMP	



FRONT VIEW



SIDE VIEW



MOUNTING HOLES PATTERN

- 5 FLUSH WITH THE COIL EDGE
REMOVE INSULATION AND TIN LEADS 0.50 INCH
- 4 WIND COIL EVENLY SPACED AROUND THE CORE
CONSTRUCTION:
WEIGHT: 18 GRAM
OPERATING TEMP.: -55°C TO 120°C
HI-POT TEST FOR WINDING TO CORE ISOLATION = 1250 VDC 5 SEC
DISTRIBUTED CAPACITANCE @10 KHz = 18.0 pF
TEMP. RISE AT RATED CURRENT: <30°C
SRF = 1MHZ
DCR = 148 MILLI-OHMS MAX.
SEE TABLE FOR INDUCTANCE VS CURRENT
CURRENT RATING = 2 AMPS
INDUCTANCE = 1.4 mH ±15% @ 0AMP DC BIAS, 10 KHz, 250mv
SPECIFICATIONS:
- 3 WIRE: UL RECOGNIZED 155°C RATED MAGNET WIRE
CWS BYTEMARK OR OTHER APPROVED PART
CORE: AMORPHOUS CORE
- 2 RATING CLASS F (155°C) REQUIRED

NOTES: TOROIDAL POWER CHOKER. ALL DIMENSIONS IN INCHES[MM]

CODE IDENT	MFG. P/N	DESCRIPTION	ITEM NO.
AUTOCAD SOLIDWORKS	X		
SIGN	DATE	PARTS LIST	
DRAWN GN	2/28/11	www.coilw.com Coil Winding Specialist, Inc. 353 W Grove Ave Orange, CA 92865	
CHECKD AK	2/28/11	TITLE: Audio Inductor Choke Amorphous Inductor 1.4 mH, 2 Amp	
ENGR. JL AU	2/28/11	SIZE DWG. NO.	REV A
APPR. JL AU	2/28/11	SCALE B	AC-142U-2A
DO NOT SCALE DRAWING		NOT TO SCALE	SHEET 1 OF 1