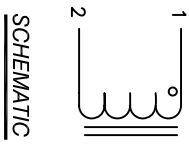


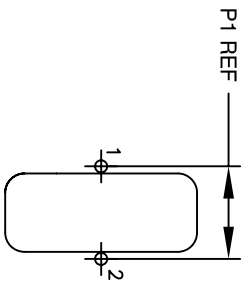
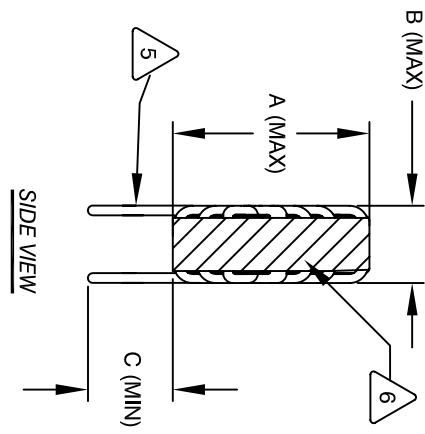
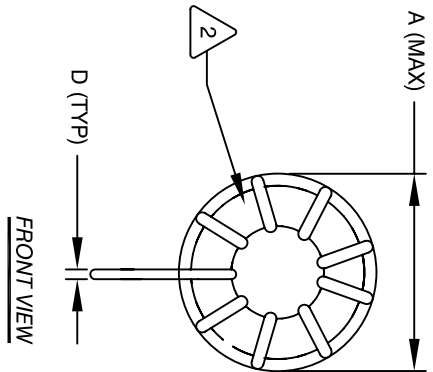
The information contained in this drawing is the sole property of Coil Winding Specialist Inc. (CWS). Any reproduction in part or whole without written permission of CWS is prohibited.

DIMENSIONAL TOLERANCE INCHES [MM]				
A(OD) Max	B(WIDTH) Max	C(LEAD) Min	D(LEAD DIA) TYP	E (Min/Max)
1.1 [27.9]	0.8 [20.3]	0.5 [12.7]	0.07 [1.78]	P1 Ref
				0.53 [13.4]

REVISION HISTORY			SIGN & DATE		
REV	ECN	DESCRIPTION	BY	DATE	DATE
A	-	PRODUCTION RELEASE	RLL	02/25/11	02/25/11



INDUCTANCE VS. CURRENT	
L (typ)	DC or AC (rms) Current
19.1 uH	0 AMP
18.5 uH	2 AMP
18.3 uH	4 AMP
18.1 uH	6 AMP
18.0 uH	8 AMP
17.6 uH	10 AMP
16.4 uH	12 AMP
14.1 uH	14 AMP
12.5 uH	15 AMP



- 1 FLUSH WITH THE COIL EDGE
- 2 REMOVE INSULATION AND TIN LEADS 0.50 INCH
- 3 WIND COIL EVENLY SPACED AROUND THE CORE
- 4 CONSTRUCTION:
WEIGHT: 22 GRAM
OPERATING TEMP.: -55°C TO 120°C
HI-POT TEST FOR WINDING TO CORE ISOLATION = 1250 VDC 5 SEC
DISTRIBUTED CAPACITANCE @10 KHz = 9.20 pF
TEMP. RISE AT RATED CURRENT: <30°C
SRF = 12 MHz
DCR = 3.0 MILLI-OHMS MAX.
SEE TABLE FOR INDUCTANCE VS CURRENT
CURRENT RATING = 15 AMPS
INDUCTANCE = 18 uH ±15% @ 0AMP DC BIAS, 10 KHz, 250mv
SPECIFICATIONS:
- 5 WIRE: UL RECOGNIZED 155°C RATED MAGNET WIRE
CWS BYTEMARK OR OTHER APPROVED PART
CORE: AMORPHOUS CORE
- 6 RATING CLASS F (155°C) REQUIRED

NOTES: TOROIDAL POWER CHOKE. ALL DIMENSIONS IN INCHES[MM]

CODE IDENT	MFG. P/N	DESCRIPTION	ITEM NO.
AUTOCAD SOLIDWORKS	X		
SIGN	DATE		
DRAWN GN	2/28/11		
CHECKED AK	2/28/11		
ENGR. JL AU	2/28/11		
APPR. JL AU	2/28/11		
PARTS LIST		Coil Winding Specialist, Inc. 353 W Grove Ave Orange, CA 92865	
TITLE:		Audio Inductor Choke Amorphous Inductor 18 uH, 15 Amp	
SIZE	DWG. NO.	SCALE	REV
B	AC-180U-15A	NOT TO SCALE	A