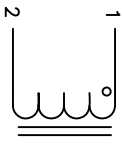


The information contained in this drawing is the sole property of Coil Winding Specialist Inc. (CWS) Any reproduction in part or whole without written permission of CWS is prohibited.

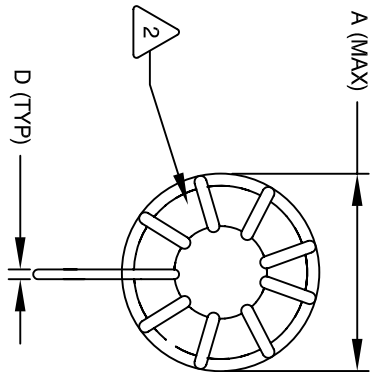
DIMENSIONAL TOLERANCE INCHES [MM]					
A(OD) Max	B(WIDTH) Max	C(LEAD) Min	D(LEAD DIA) TYP	E (Min/Max)	P1 Ref
0.95 [24.1]	0.70 [17.8]	0.5 [12.7]	0.04 [1.00]		0.61 [15.6]

REVISION HISTORY				SIGN & DATE	
REV	ECN	DESCRIPTION	BY	DATE	DATE
A	-	PRODUCTION RELEASE	RLL	02/25/11	02/25/11

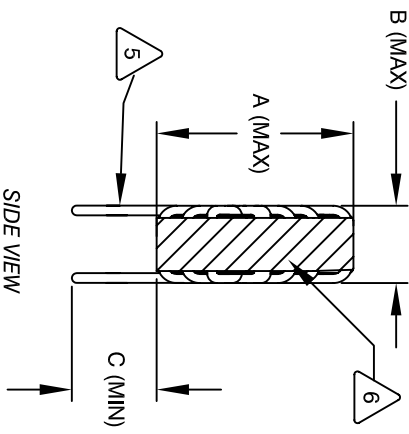


SCHEMATIC

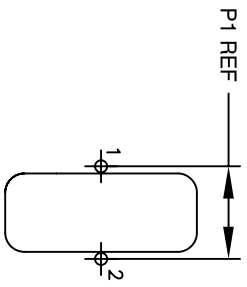
INDUCTANCE VS. CURRENT		
L (typ)	DC or AC (rms) Current	
206.9 uH	0 AMP	
198.1 uH	1 AMP	
190.6 uH	2 AMP	
187.5 uH	3 AMP	
166.3 uH	4 AMP	
102.6 uH	5 AMP	



FRONT VIEW



SIDE VIEW



MOUNTING HOLES PATTERN

- 1 RATING CLASS F (155°C) REQUIRED
- 2 WIRE: UL RECOGNIZED 155°C RATED MAGNET WIRE
CWS BYTEMARK OR OTHER APPROVED PART
CORE: AMORPHOUS CORE
- 3 WIND COIL EVENLY SPACED AROUND THE CORE
CONSTRUCTION:
WEIGHT: 22 GRAM
OPERATING TEMP.: -55°C TO 120°C
HI-POT TEST FOR WINDING TO CORE ISOLATION = 1250 VDC 5 SEC
DISTRIBUTED CAPACITANCE @10 KHZ = 8.39 pF
TEMP. RISE AT RATED CURRENT: <30°C
SRF = 2.3 MHZ
DCR = 45 MILLIOHMS MAX.
SEE TABLE FOR INDUCTANCE VS CURRENT
CURRENT RATING = 5 AMPS
INDUCTANCE = 200 uH ±15% @ 0AMP DC BIAS, 10 KHZ, 250mV
SPECIFICATIONS:
- 4 CHOKES, HI-FI SYSTEMS, ETC.
APPLICATION: AUDIO CROSSEOVER
- 5 MARK PART NUMBER AND REVISION
WRAP INDUCTOR WITH 3M #69 OR EQUAL
- 6 FLUSH WITH THE COIL EDGE
REMOVE INSULATION AND TIN LEADS 0.50 INCH
- 7 BUILD TO ROHS COMPLIANCE
- 8

NOTES: TOROIDAL POWER CHOKE. ALL DIMENSIONS IN INCHES[MM]

CODE IDENT	MFG. P/N	DESCRIPTION	ITEM NO.
AUTOCAD SOLIDWORKS	X		
SIGN	DATE	PARTS LIST	
DRAWN GN	2/28/11	www.coilw.com Coil Winding Specialist, Inc. 353 W Grove Ave Orange, CA 92865 sales@coilw.com	
CHECKD AK	2/28/11	TITLE: Audio Inductor Choke Amorphous Inductor 200 uH, 5 Amp	
ENGR. JLAU	2/28/11	SIZE DWG. NO.	REV
APPR. JLAU	2/28/11	B	A
DO NOT SCALE DRAWING		SCALE	SHEET 1 OF 1
		NOT_TO_SCALE	