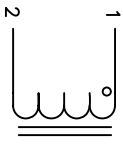


The information contained in this drawing is the sole property of Coil Winding Specialist Inc. (CWS). Any reproduction in part or whole without written permission of CWS is prohibited.

DIMENSIONAL TOLERANCE INCHES [MM]					
A(OD) Max	B(WIDTH) Max	C(LEAD) Min	D(LEAD DIA) TYP	E (Min/Max)	P1 Ref
0.90 [22.9]	0.60 [15.3]	0.5 [12.7]	0.01 [0.30]		0.53 [13.5]

REVISION HISTORY				SIGN & DATE		
REV	ECN	DESCRIPTION	BY	DATE	CHK	DATE
A	-	PRODUCTION RELEASE	RLL	02/25/11	JCL	02/25/11



SCHEMATIC

INDUCTANCE VS. CURRENT		
L (typ)	DC or AC (rms) Current	
4.4 mH	0.00 AMP	
4.0 mH	0.50 AMP	
3.6 mH	0.75 AMP	
2.8 mH	1.00 AMP	

- 8 BUILD TO ROHS COMPLIANCE
- 7 APPLICATION: AUDIO Crossover
- 6 MARK PART NUMBER AND REVISION WRAP INDUCTOR WITH 3M #69 OR EQUAL

- 5 FLUSH WITH THE COIL EDGE REMOVE INSULATION AND TIN LEADS 0.50 INCH

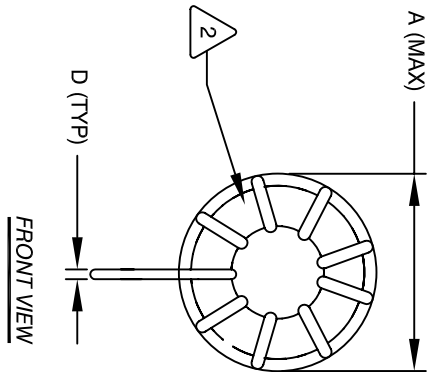
- 4 WIND COIL EVENLY SPACED AROUND THE CORE CONSTRUCTION:

WEIGHT: 18 GRAM
 OPERATING TEMP.: -55°C TO 120°C
 HI-POT TEST FOR WINDING TO CORE ISOLATION = 1250 VDC 5 SEC
 DISTRIBUTED CAPACITANCE @10 KHz = 32.0 pF
 TEMP. RISE AT RATED CURRENT: <30°C
 SRF = 420 KHz
 DCR = 0.5 OHMS MAX.
 SEE TABLE FOR INDUCTANCE VS CURRENT
 CURRENT RATING = 1 AMPS
 INDUCTANCE = 4.0 mH ±15% @ 0AMP DC BIAS, 10 KHz, 250mv
 SPECIFICATIONS:

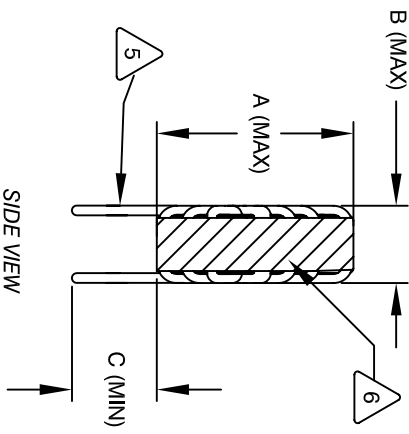
- 3 WIRE: UL RECOGNIZED 155°C RATED MAGNET WIRE CWS BYTEMARK OR OTHER APPROVED PART CORE: AMORPHOUS CORE

- 2 RATING CLASS F (155°C) REQUIRED

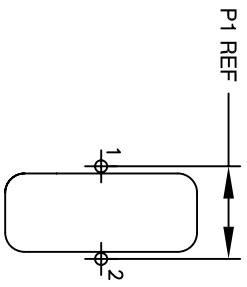
NOTES: TOROIDAL POWER CHOKE. ALL DIMENSIONS IN INCHES[MM]



FRONT VIEW



SIDE VIEW



MOUNTING HOLES PATTERN

CODE IDENT	MFG. P/N	DESCRIPTION	ITEM NO.
AUTOCAD SOLIDWORKS	X		
DRAWN	GN	2/28/11	
CHECKED	AK	2/28/11	
ENGR.	JLJU	2/28/11	
APPR.	JLJU	2/28/11	

PARTS LIST		TITLE:	
www.coilw.com	Coil Winding Specialist, Inc.	Audio Inductor Choke	
sales@coilw.com	353 W Grove Ave	Amorphous Inductor	
	Orange, CA 92865	4.0 mH, 1 Amp	

SIZE	DWG. NO.	SCALE	NOT_TO_SCALE	SHEET	1 OF	REV
B	AC-402U-1A			1	1	A