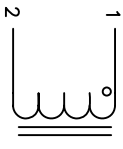


The information contained in this drawing is the sole property of Coil Winding Specialist Inc. (CWS). Any reproduction in part or whole without written permission of CWS is prohibited.

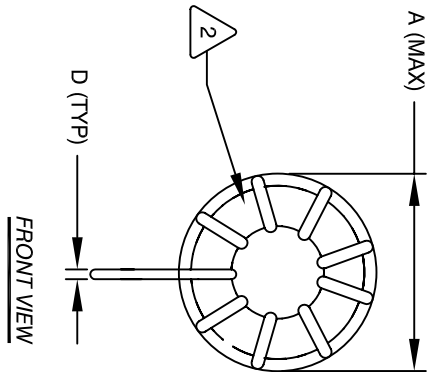
DIMENSIONAL TOLERANCE INCHES [MM]					
A(OD) Max	B(WIDTH) Max	C(LEAD) Min	D(LEAD DIA) TYP	E (Min/Max)	P1 Ref
0.95 [24.1]	0.65 [16.5]	0.5 [12.7]	0.05 [1.20]		0.50 [12.8]

REVISION HISTORY				SIGN & DATE		
REV	ECN	DESCRIPTION	BY	DATE	CHK	DATE
A	-	PRODUCTION RELEASE	RLL	02/25/11	JCL	02/25/11

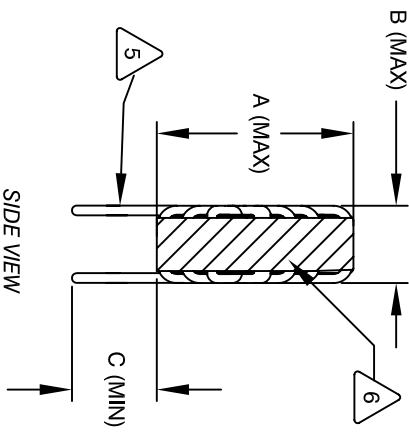


SCHEMATIC

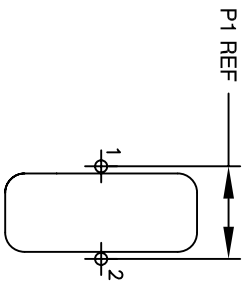
INDUCTANCE VS. CURRENT		
L (typ)	DC or AC (rms) Current	
66.5 uH	0 AMP	
66.2 uH	1 AMP	
66.3 uH	2 AMP	
65.1 uH	3 AMP	
63.5 uH	4 AMP	
61.0 uH	5 AMP	
55.8 uH	6 AMP	
46.8 uH	7 AMP	
36.2 uH	8 AMP	



FRONT VIEW



SIDE VIEW



MOUNTING HOLES PATTERN

- 1 FLUSH WITH THE COIL EDGE
- 2 REMOVE INSULATION AND TIN LEADS 0.50 INCH
- 3 WIND COIL EVENLY SPACED AROUND THE CORE
- 4 CONSTRUCTION:
WEIGHT: 20 GRAM
OPERATING TEMP.: -55°C TO 120°C
HI-POT TEST FOR WINDING TO CORE ISOLATION = 1250 VDC 5 SEC
DISTRIBUTED CAPACITANCE @10 KHz = 11.95 pF
TEMP. RISE AT RATED CURRENT: <30°C
SRF = 5.5 MHz
DCR = 10 MILLI-OHMS MAX.
SEE TABLE FOR INDUCTANCE VS CURRENT
CURRENT RATING = 8 AMPS
INDUCTANCE = 65 uH ±15% @ 0AMP DC BIAS, 10 KHz, 250mV SPECIFICATIONS:
- 5 WIRE: UL RECOGNIZED 155°C RATED MAGNET WIRE
CWS BYTEMARK OR OTHER APPROVED PART
CORE: AMORPHOUS CORE
- 6 RATING CLASS F (155°C) REQUIRED

NOTES: TOROIDAL POWER CHOKER. ALL DIMENSIONS IN INCHES[MM]

CODE IDENT	MFG. P/N	DESCRIPTION	ITEM NO.
AUTOCAD SOLIDWORKS	X		
SIGN	DATE		
DRAWN GN	2/28/11		
CHECKED AK	2/28/11		
ENGR. JL AU	2/28/11		
APPR. JL AU	2/28/11		
PARTS LIST		Coil Winding Specialist, Inc. 353 W Grove Ave Orange, CA 92865	
TITLE:		Audio Inductor Choke Amorphous Inductor 65 uH, 8 Amp	
SIZE	DWG. NO.	SCALE	REV
B	AC-650U-8A	NOT TO SCALE	A