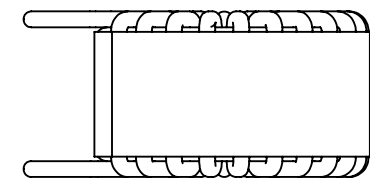
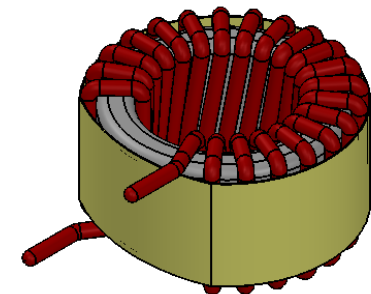
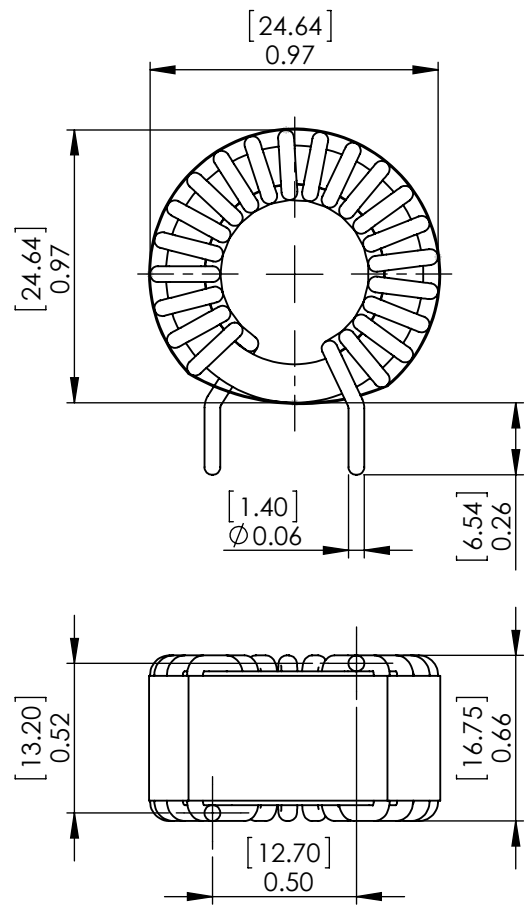


2

1

FOR REFERENCE ONLY



B

B

- THE PART NUMBER ON THE WEBSITE.
- 4. PLEASE REFER TO OFFICIAL AUTOCAD PDF DRAWING BY CLICKING
- 3. DIMENSIONS ARE FOR REFERENCE ONLY WITH NO TOLERANCES.

A

- THE SOLIDWORKS DRAWING.
 - 2. DIMENSIONS SHOWN ARE FOR ONE TYPICAL UNIT USED IN
 - 1. DRAWING DERIVED FROM SOLIDWORKS STEP FILE.
- NOTES : UNLESS OTHERWISE SPECIFIED, READ FROM BOTTOM UP.

A

UNLESS OTHERWISE SPECIFIED:		NAME	DATE
DIMENSIONS ARE IN INCHES		DRAWN	JJ 04/28/20
TOLERANCES:		CHECKED	TN 04/28/20
FRACTIONAL ±		ENG APPR.	JL 04/28/20
ANGULAR: MACH ± BEND ±		MFG APPR.	JL 04/28/20
TWO PLACE DECIMAL ±		Q.A.	JM 04/28/20
THREE PLACE DECIMAL ±		COMMENTS:	
INTERPRET GEOMETRIC TOLERANCING PER:			
MATERIAL			
FINISH			
DO NOT SCALE DRAWING			

PDF DERIVED FROM SOLIDWORKS			
TITLE:			
SolidWorks Version of Differential Mode Choke 27uH, 12Amps			
SIZE	DWG. NO.	REV	
A	C-14563-00-SW	A	
SCALE: 1.5:1		WEIGHT:	SHEET 1 OF 1

PROPRIETARY AND CONFIDENTIAL

THE INFORMATION CONTAINED IN THIS DRAWING IS THE SOLE PROPERTY OF COIL WINDING SPECIALIST, INC. ANY REPRODUCTION IN PART OR AS A WHOLE WITHOUT THE WRITTEN PERMISSION OF COIL WINDING SPECIALIST, INC. IS PROHIBITED.

2

1