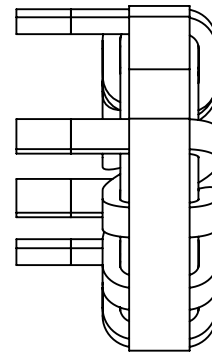
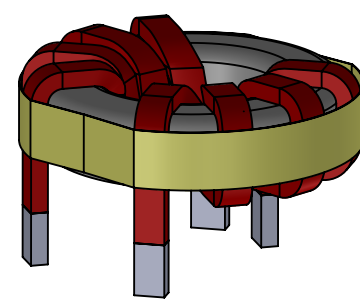
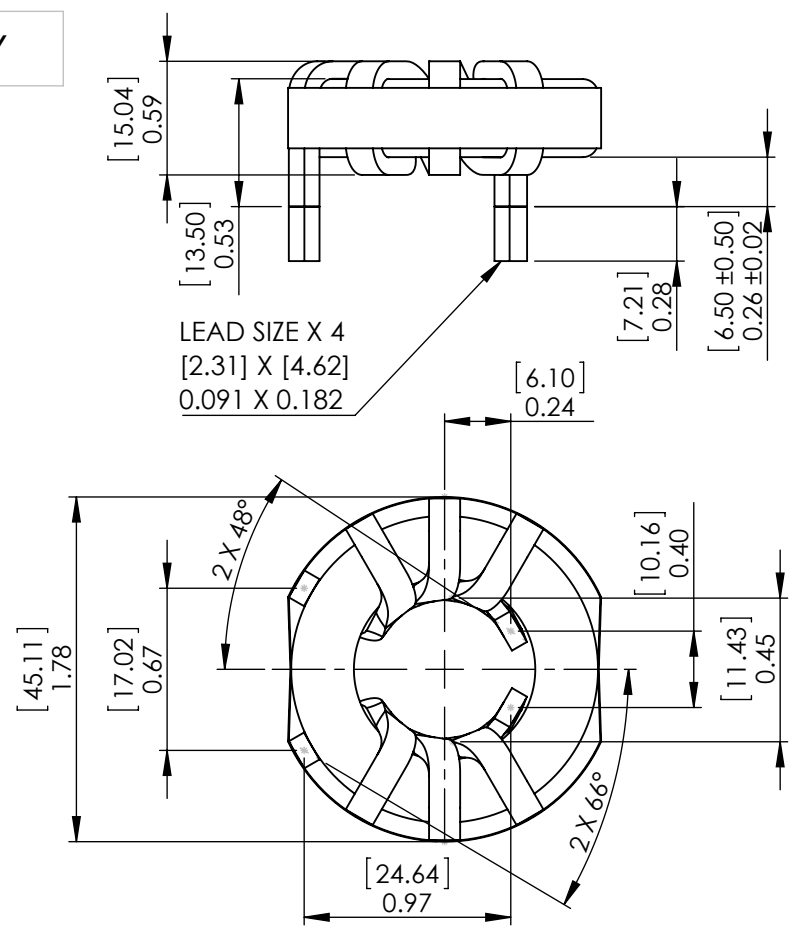


2

1

FOR REFERENCE ONLY



B

B

- THE PART NUMBER ON THE WEBSITE.
- 4. PLEASE REFER TO OFFICIAL AUTOCAD PDF DRAWING BY CLICKING
- 3. DIMENSIONS ARE FOR REFERENCE ONLY WITH NO TOLERANCES.

- THE SOLIDWORKS DRAWING.
- 2. DIMENSIONS SHOWN ARE FOR ONE TYPICAL UNIT USED IN
- 1. DRAWING DERIVED FROM SOLIDWORKS STEP FILE.

NOTES : UNLESS OTHERWISE SPECIFIED, READ FROM BOTTOM UP.

PROPRIETARY AND CONFIDENTIAL
 THE INFORMATION CONTAINED IN THIS DRAWING IS THE SOLE PROPERTY OF COIL WINDING SPECIALIST, INC. ANY REPRODUCTION IN PART OR AS A WHOLE WITHOUT THE WRITTEN PERMISSION OF COIL WINDING SPECIALIST, INC. IS PROHIBITED.

| UNLESS OTHERWISE SPECIFIED: | | NAME | DATE |
|--------------------------------------|--|-----------|-------------|
| DIMENSIONS ARE IN INCHES | | DRAWN | JJ 05/21/20 |
| TOLERANCES: | | CHECKED | TN 05/21/20 |
| FRACTIONAL ± | | ENG APPR. | JL 05/21/20 |
| ANGULAR: MACH ± BEND ± | | MFG APPR. | JL 05/21/20 |
| TWO PLACE DECIMAL ± | | Q.A. | JM 05/21/20 |
| THREE PLACE DECIMAL ± | | COMMENTS: | |
| INTERPRET GEOMETRIC TOLERANCING PER: | | | |
| MATERIAL | | | |
| FINISH | | | |
| DO NOT SCALE DRAWING | | | |

| PDF DERIVED FROM SOLIDWORKS | | | |
|-----------------------------------------------------------|-----------------|--------------|--|
| TITLE: | | | |
| SolidWorks Version of Inductor Common Mode 70 uH, 90 Amps | | | |
| SIZE | DWG. NO. | REV | |
| A | C-36A29-06-B-SW | A | |
| SCALE: 1:1 | WEIGHT: | SHEET 1 OF 1 | |

A

A

2

1