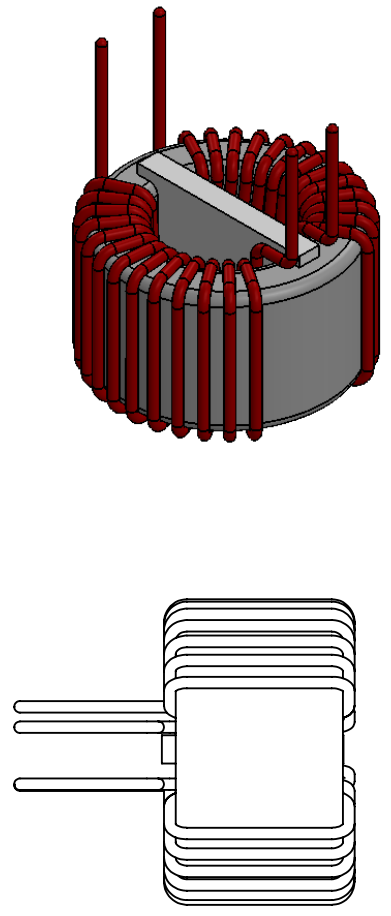
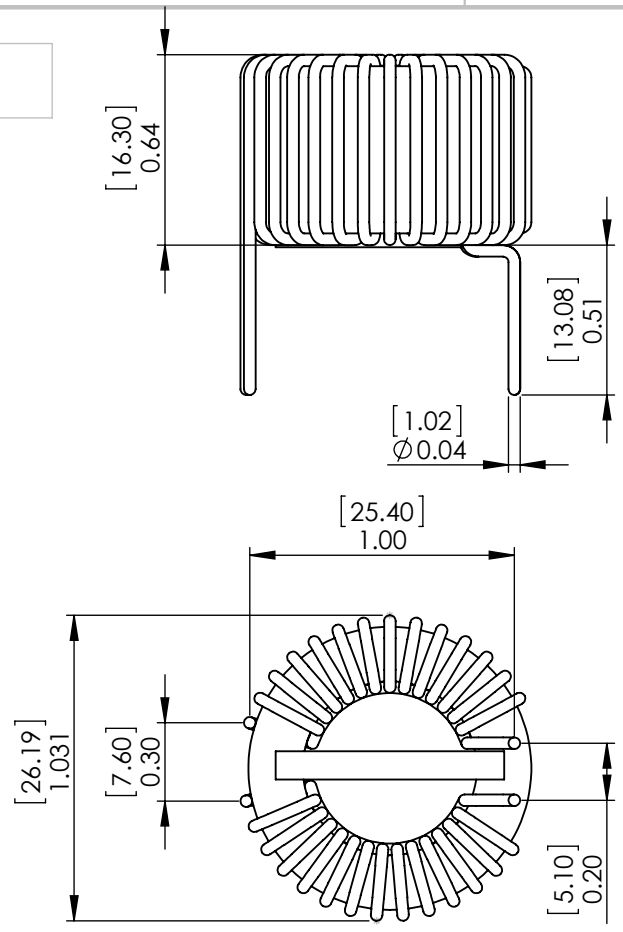


2

1

FOR REFERENCE ONLY



B

B

- THE PART NUMBER ON THE WEBSITE.
- 4. PLEASE REFER TO OFFICIAL AUTOCAD PDF DRAWING BY CLICKING
- 3. DIMENSIONS ARE FOR REFERENCE ONLY WITH NO TOLERANCES.

A

- THE SOLIDWORKS DRAWING.
 - 2. DIMENSIONS SHOWN ARE FOR ONE TYPICAL UNIT USED IN
 - 1. DRAWING DERIVED FROM SOLIDWORKS STEP FILE.
- NOTES : UNLESS OTHERWISE SPECIFIED, READ FROM BOTTOM UP.

A

PROPRIETARY AND CONFIDENTIAL

THE INFORMATION CONTAINED IN THIS DRAWING IS THE SOLE PROPERTY OF COIL WINDING SPECIALIST, INC. ANY REPRODUCTION IN PART OR AS A WHOLE WITHOUT THE WRITTEN PERMISSION OF COIL WINDING SPECIALIST, INC. IS PROHIBITED.

UNLESS OTHERWISE SPECIFIED:	NAME	DATE
DIMENSIONS ARE IN INCHES	DRAWN	JJ 04/28/20
TOLERANCES:	CHECKED	TN 04/28/20
FRACTIONAL ±	ENG APPR.	JL 04/28/20
ANGULAR: MACH ± BEND ±	MFG APPR.	JL 04/28/20
TWO PLACE DECIMAL ±	Q.A.	JM 04/28/20
THREE PLACE DECIMAL ±	COMMENTS:	
INTERPRET GEOMETRIC TOLERANCING PER:		
MATERIAL		
FINISH		
DO NOT SCALE DRAWING		

PDF DERIVED FROM SOLIDWORKS		
TITLE: SolidWorks Version of Common Mode Choke 7Amps		
SIZE	DWG. NO.	REV
A	C-B2133-00-SW	A
SCALE: 1.5:1		WEIGHT:
		SHEET 1 OF 1

2

1