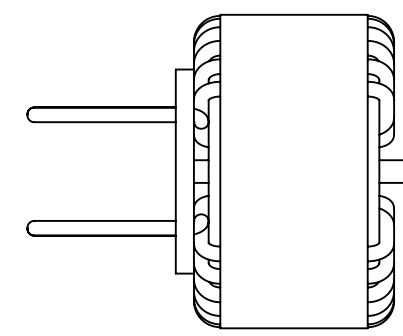
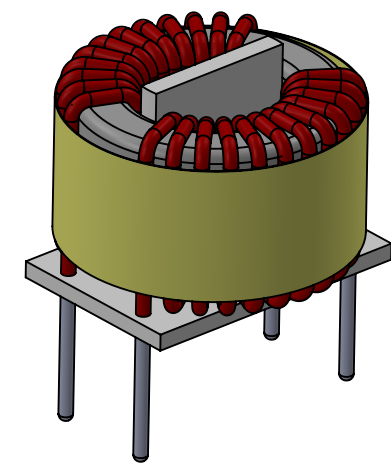
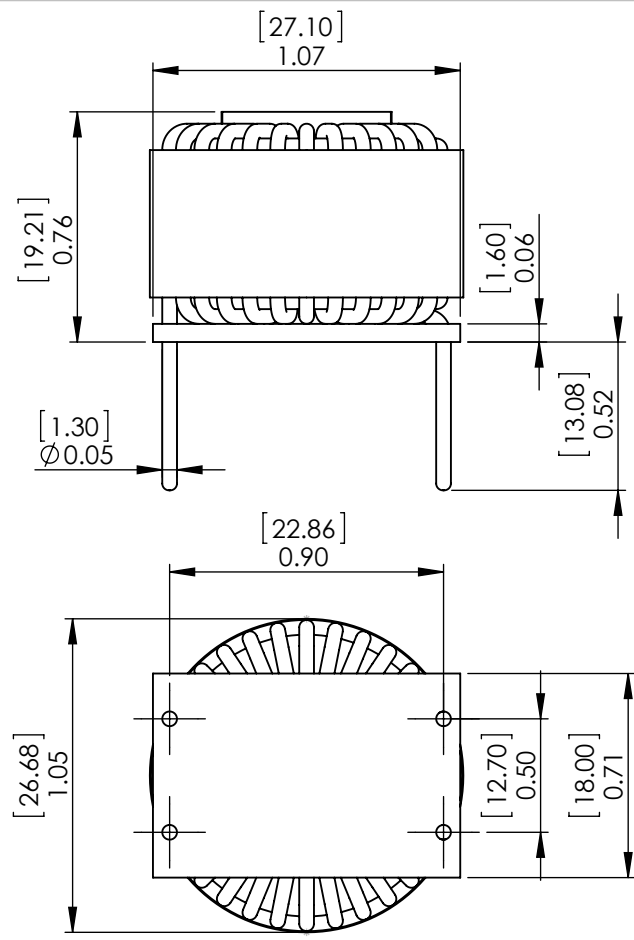


2

1

FOR REFERENCE ONLY



B

B

- THE PART NUMBER ON THE WEBSITE.
- 4. PLEASE REFER TO OFFICIAL AUTOCAD PDF DRAWING BY CLICKING
- 3. DIMENSIONS ARE FOR REFERENCE ONLY WITH NO TOLERANCES.

A

- THE SOLIDWORKS DRAWING.
- 2. DIMENSIONS SHOWN ARE FOR ONE TYPICAL UNIT USED IN
- 1. DRAWING DERIVED FROM SOLIDWORKS STEP FILE.

NOTES : UNLESS OTHERWISE SPECIFIED, READ FROM BOTTOM UP.

UNLESS OTHERWISE SPECIFIED:		NAME	DATE
DIMENSIONS ARE IN INCHES		DRAWN	JJ 05/21/20
TOLERANCES:		CHECKED	TN 05/21/20
FRACTIONAL ±		ENG APPR.	JL 05/21/20
ANGULAR: MACH ± BEND ±		MFG APPR.	JL 05/21/20
TWO PLACE DECIMAL ±		Q.A.	JM 05/21/20
THREE PLACE DECIMAL ±		COMMENTS:	
INTERPRET GEOMETRIC TOLERANCING PER:			
MATERIAL			
FINISH			
DO NOT SCALE DRAWING			

PDF DERIVED FROM SOLIDWORKS		
TITLE:		
SolidWorks Version of Common Mode Choke 1.0 mH, 12 Amps		
SIZE	DWG. NO.	REV
A	C-B2134-00-SW	A
SCALE: 1.5:1		WEIGHT:
		SHEET 1 OF 1

PROPRIETARY AND CONFIDENTIAL
 THE INFORMATION CONTAINED IN THIS DRAWING IS THE SOLE PROPERTY OF COIL WINDING SPECIALIST, INC. ANY REPRODUCTION IN PART OR AS A WHOLE WITHOUT THE WRITTEN PERMISSION OF COIL WINDING SPECIALIST, INC. IS PROHIBITED.

2

1

A