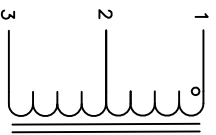
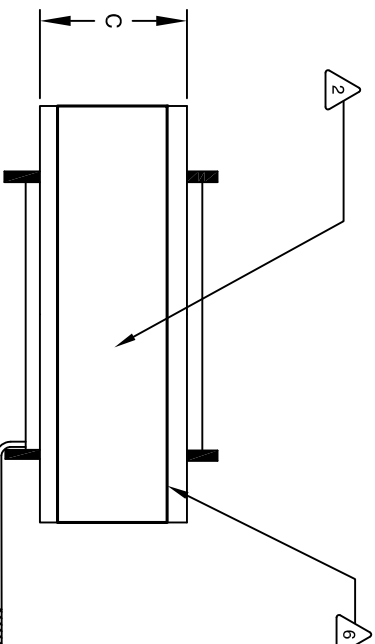


The information contained in this drawing is the sole property of Coil Winding Specialist, Inc. Any reproduction in part or whole without written permission of Coil Winding Specialist, Inc. is prohibited.

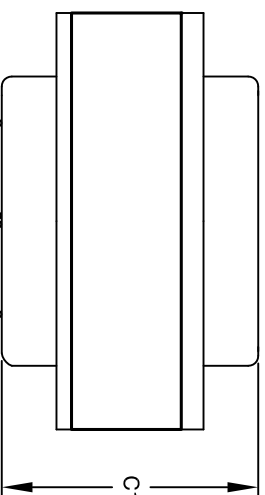
DIMENSIONAL TOLERANCES INCHES [MM]				
A	B	C	C1	D
NOM	NOM	NOM	NOM	NOM
4.50 [114.30]	3.70 [93.98]	1.37 [34.75]	3.05 [77.50]	9.00 [228.60]
				0.50 [12.70]



**SCHEMATIC**



**TOP VIEW**



**SIDE VIEW**

REVISION HISTORY			
REV	ECN	DESCRIPTION	DATE
A		PRODUCTION RELEASE	11/29/17
A1		CHANGED P/N DESCRIPTION	06/18/21

**DCR TABLE**

Across Pins	DCR
1-2	361 mΩ (Typ)
2-3	430 mΩ (Typ)
1-3	1.00 Ω (MAX)

**INDUCTANCE TABLE**

Across Pins	Inductance (±10%)
1-2	17.50 mH
2-3	15.17 mH
1-3	65.25 mH

9 APPLICATION: OUTPUT CHOKE, HIGH DC-BIAS INDUCTOR, INPUT FILTER

8 BUILT TO ROHS COMPLIANCE AND LEAD FREE.

7 MARK PART NUMBER AND REVISION WHERE SHOWN

6 VARNISH PART AND CURE

5 APPLY SILICONE ADHESIVE WHERE SHOWN

4 CONSTRUCTION

WRAP GLASS TAPE AROUND CORES

WIND WIRE ONTO BOBBIN

WEIGHT: 570.0 GRAM (TYP)  
RECOMMENDED AMBIENT OPERATING TEMP: -40°C TO 125°C  
HI-POT TEST FOR WINDING TO CORE ISOLATION: 1000VDC @ 2mA, 1 MIN  
INTERWINDING CAPACITANCE @ SRF = 153 pF (TYP)

3 RATED FREQUENCY: 100 KHZ  
RATED CURRENT: 10 AMPS  
DCR: SEE TABLE ON THE RIGHT  
TEST FREQUENCY: 1KHZ; TEST VOLTAGE: 250mVrms, ZERO DC BIAS  
L = SEE TABLE ON THE RIGHT  
SPECIFICATIONS:

VARNISH WITH DOLPH or EQUAL

WIRE: UL RECOGNIZED 200°C RATED MAGNET WIRE

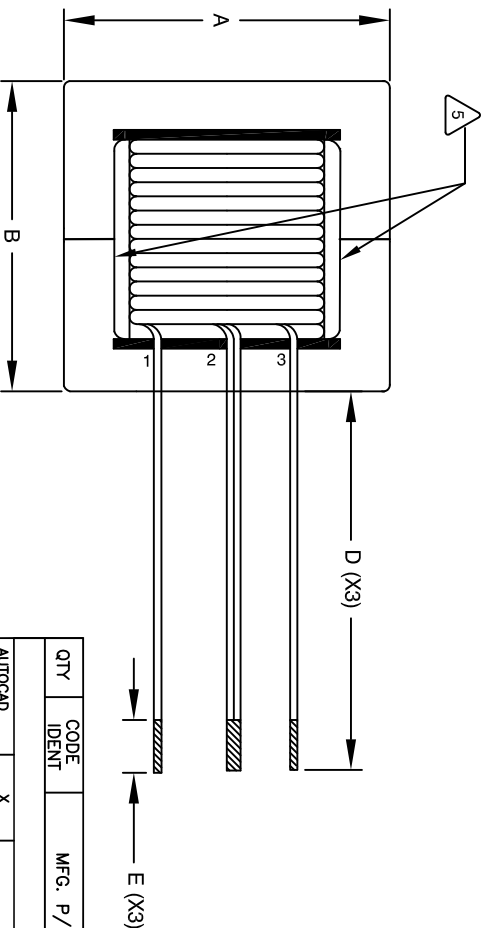
2 WRAP WITH GLASS TAPE

CORE: COMPACTED POWDERED CORE  
INSULATION CLASS 180°C REQUIRED

1 MATERIAL: UL RECOGNIZED 94V-0 FOR FLAMMABILITY

NOTES: UNLESS OTHERWISE SPECIFIED, READ FROM BOTTOM UP.

CAGE CODE: 5DMIE2



**FRONT VIEW**

QTY	CODE IDENT	MFG. P/N	DESCRIPTION	ITEM NO.
			<b>PARTS LIST</b>	
			<b>Tapped Inductor 65mH</b>	
AUTOCAD SOLIDWORKS SIGN		DATE		
DRAWN TN		11/29/17		
CHECKD JLAU		11/29/17		
ENGR JLAU		11/29/17		
APPR JLAU		11/29/17		
UNLESS OTHERWISE SPECIFIED		DIMENSIONING AND TOLERANCE PER ANSI Y14.5M		
ALL DIMENSIONS ARE IN INCHES AND [MILLIMETERS].		TOLERANCE INCHES: .XX±.010 .X±.020 .XXX±.0254 .XX±.51		
TOLERANCE METRICS: .XX±.010 .X±.020 .XXX±.0254 .XX±.51		ANGLE PROJECTION		
DO NOT SCALE DRAWING		SCALE		
		NOT TO SCALE		
		SHEET 1 OF 1		

www.coilws.com  
353 W GROVE AVE  
ORANGE, CA 92665

Coil Winding Specialist, Inc.

CL42151-820-01