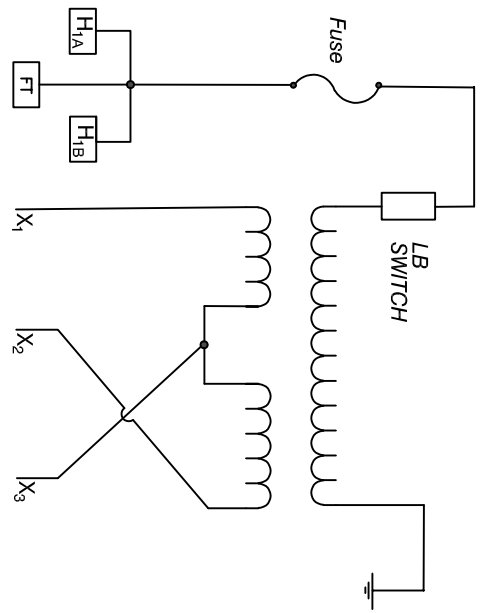
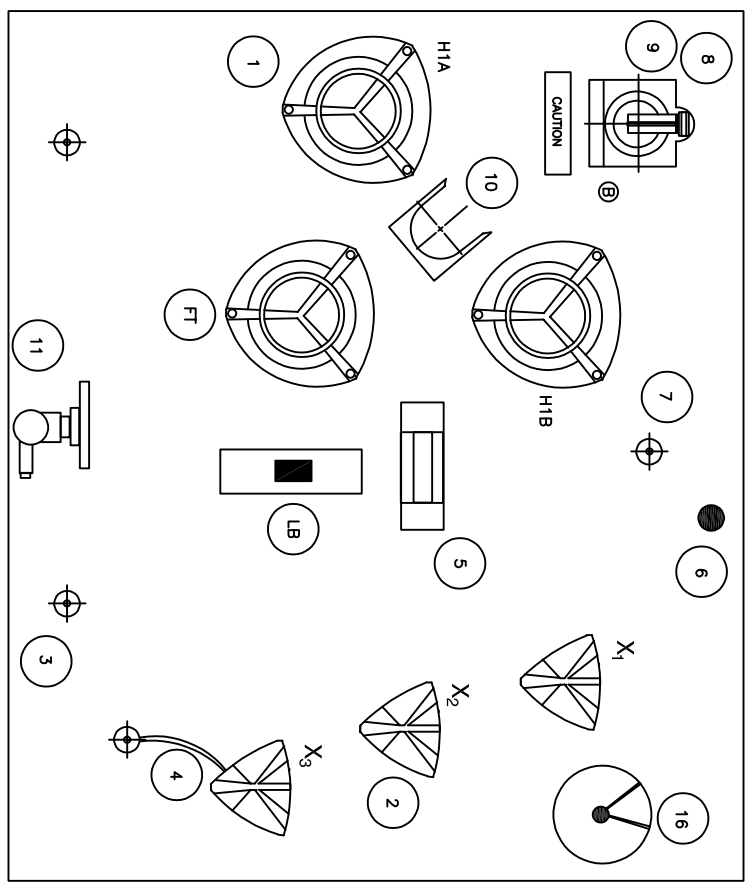


The information contained in this drawing is the sole property of Coil Winding Specialist, Inc. Any reproduction in part or whole without written permission of Coil Winding Specialist, Inc. is prohibited.



SCHEMATIC



ITEM	DESCRIPTION
1	200A, 15KV Class Bushing Well (BW150F), with Inserts
2	LV BUSHING
3	GROUND PAD
4	LV GROUND STRAP
5	NAMEPLATE
6	PRESSURE RELIEF VALVE
7	OIL FILL PLUG
8	BAYONET FUSE
9	DRIP SHIELD
10	HV STANDOFF BRACKET
11	DRAIN AND SAMPLE VALVE
16	DIAL TYPE THERMOMETER 150-101-11
LB	LOAD BREAKER SWITCH
FT	ADDITIONAL FEED THROUGH WITH BUSHING

TECHNICAL DATA	
RATING	100 KVA
H.V	12.47 KV
L.V	240/120 V
FREQUENCY	60 Hz
VECTOR GROUP	110 AM
WINDING MATERIAL	AL
BIL HIGH VOLTAGE	95 KV
BIL LOW VOLTAGE	30 KV
COOLING CLASS	ONAN
EFFICIENCY	99.25 %
NO LOAD LOSS	160 W
LOAD LOSS	960 W
IMPEDANCE	PER IEEE
COLOR	MUNSELL 7GY3.29/1.5

UNLESS OTHERWISE SPECIFIED
 DIMENSIONING AND TOLERANCE PER ANSI Y14.5M
 ALL DIMENSIONS ARE IN INCHES AND (MILLIMETERS):
 TOLERANCE INCHES:
 .XXX=±.010 .XX=±.020
 TOLERANCE METRICS:
 .XXX=±.254 .XX=±.51
 ANGLE PROJECTION DO NOT SCALE DRAWING

AUTOCAD	SOLIDWORKS	DATE
DRWN	TN	09/03/24
CHKD	JM	09/03/24
ENGR	JL	09/03/24
APPR	JL	09/03/24

TITLE:		SCALE	SHEET	OF	REV
Single-Phase Loop Distribution Padmount Transformer		NOT_TO_SCALE	1	1	D
www.coliws.com sales@coliws.com		Coil Winding Specialist, Inc. 353 W GROVE AVE ORANGE, CA 92665			
SIZE DIM: NO.		CWS-100KVA1P-12.47K			

REVISION HISTORY		SIGN & DATE	
REV	ECN	BY	DATE
C	100924	TN	10/09/24
D	121824	JL	12/16/24