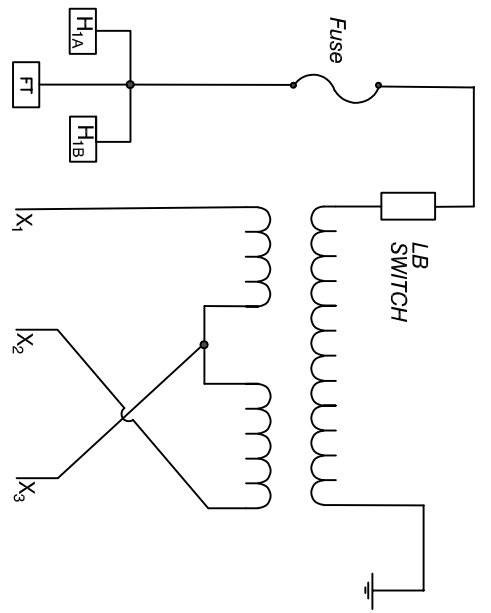
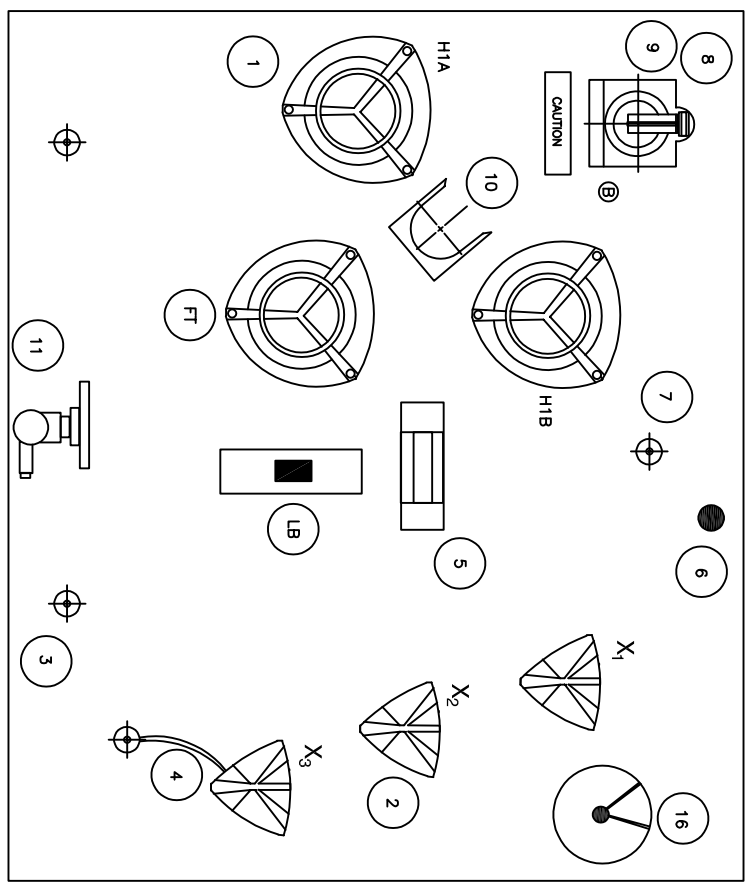


The information contained in this drawing is the sole property of Coil Winding Specialist, Inc. Any reproduction in part or whole without written permission of Coil Winding Specialist, Inc. is prohibited.



SCHEMATIC



| ITEM | DESCRIPTION |
|------|------------------------------------------------------|
| 1 | 200A, 15KV Class Bushing Well (BW150F), with Inserts |
| 2 | LV BUSHING |
| 3 | GROUND PAD |
| 4 | LV GROUND STRAP |
| 5 | NAMEPLATE |
| 6 | PRESSURE RELIEF VALVE |
| 7 | OIL FILL PLUG |
| 8 | BAYONET FUSE |
| 9 | DRIP SHIELD |
| 10 | HV STANDOFF BRACKET |
| 11 | DRAIN AND SAMPLE VALVE |
| 16 | DIAL TYPE THERMOMETER 150-101-11 |
| LB | LOAD BREAKER SWITCH |
| FT | ADDITIONAL FEED THROUGH WITH BUSHING |

| TECHNICAL DATA | |
|------------------|---------------------|
| RATING | 100 KVA |
| H.V | 12.47 KV |
| L.V | 240/120 V |
| FREQUENCY | 60 Hz |
| VECTOR GROUP | 110 AM |
| WINDING MATERIAL | AL |
| BIL HIGH VOLTAGE | 95 KV |
| BIL LOW VOLTAGE | 30 KV |
| COOLING CLASS | ONAN |
| EFFICIENCY | 99.25 % |
| NO LOAD LOSS | 160 W |
| LOAD LOSS | 960 W |
| IMPEDANCE | PER IEEE |
| COLOR | MUNSELL 7GY3.29/1.5 |

| UNLESS OTHERWISE SPECIFIED | |
|--------------------------------------------|------------------------------------------------|
| DIMENSIONING AND TOLERANCE PER ANSI Y14.5M | ALL DIMENSIONS ARE IN INCHES AND (MILLIMETERS) |
| TOLERANCE INCHES: | .XXX=±.010 .XX=±.020 .X=±0.30' |
| TOLERANCE METRICS: | .XXX=±.254 .XX=±.51 |
| ANGLE PROJECTION | DO NOT SCALE DRAWING |

| REV | ECH | DESCRIPTION | BY | DATE | CHK | DATE |
|-----|--------|------------------------------------------|----|----------|-----|----------|
| B | | UPDATED SCHEMATIC DIAGRAM - ADDED HV SW | TN | 09/09/24 | JL | 09/09/24 |
| C | 100824 | UPDATED SPEC., REVISED DESCRIPTION & P/N | TN | 10/09/24 | JL | 10/08/24 |

| REVISION HISTORY | SIGN & DATE |
|------------------|-------------|
| REVISION | DATE |

| AUTOCAD | | X | |
|------------|------|----------|--|
| SOLIDWORKS | DATE | | |
| DRWN | TN | 09/03/24 | |
| CHKD | JM | 09/03/24 | |
| ENGR | JL | 09/03/24 | |
| APPR | JL | 09/03/24 | |

| TITLE: | SCALE | NOT_TO_SCALE | SHEET | OF | REV |
|-----------------------------------------------------|-------|--------------|-------|----|-----|
| Single-Phase Loop Distribution Padmount Transformer | B | | 1 | 1 | C |

www.coliws.com
 sales@coliws.com
 Coil Winding Specialist, Inc.
 353 W GROVE AVE
 ORANGE, CA 92665