

The information contained in this drawing is the sole property of CWS Coil Winding Specialist. Any reproduction in part or whole without written permission of CWS Coil Winding Specialist is prohibited.



DIMENSIONAL TOLERANCES INCHES [MM]								
A	B	C	D	E			X	Y
MAX	MAX	MIN	TYP	MAX			TYP	TYP
1.90	1.00	0.50	0.06	1.75			0.72	1.23
[48.30]	[25.40]	[12.70]	[1.45]	[44.50]			[18.25]	[31.20]

REVISION HISTORY						
REV	ECN	DESCRIPTION	SIGN & DATE			
			BY	DATE	CHK	DATE
A		INITIAL RELEASE	KLC	02/14/11	AK	02/14/11
B		UPDATED SPEC.	TN	09/24/2020	JL	09/24/2020

8 BUILD TO RoHS COMPLIANCE AND LEAD-FREE

7 MARK PART NUMBER, REVISION AND DATE CODE

6 POT AND CURE  
REST FLAT ON POTTING HOUSING BEFORE POTTING.

5 REMOVE INSULATION AND TIN LEADS 0.50 INCH  
WIND COILS EVENLY SPACED AROUND THE CORE

4 CONSTRUCTION:

WEIGHT: 156 GRAMS TYPICAL  
HI-POT TEST FOR WINDING TO CORE ISOLATION = 500VDC MIN  
OPERATING TEMP. RANGE: -40°C TO 155°C  
CURRENT RATING : 15 AMPS, 40 °C TEMP. RISE WITH SOME AIRFLOW  
DCR = 170.0 MILLI-OHMS MAX.  
INTERWINDING CAPACITANCE = 59pF TYP @ SRF  
|Z| = 35.0 kΩ TYP @ SRF  
SRF = 1.20 MHz TYPICAL  
INDUCTANCE @ DC BIAS: SEE TABLE ON THE RIGHT  
TERMINAL 3 AND 4 ARE INTERNALLY CONNECTED  
TERMINAL 1 AND 2 ARE INTERNALLY CONNECTED  
INDUCTANCE = 300uH ±15% @ 0 ADC BIAS, 1 KHz, 250mV

3 SPECIFICATIONS @ 25°C:

WIRE: UL RECOGNIZED 200°C RATED MAGNET WIRE  
EPOXY: UL RECOGNIZED RATING

2 CORE: COATED POWDERED TOROIDAL CORE

RATING CLASS H (180°C MIN.) REQUIRED

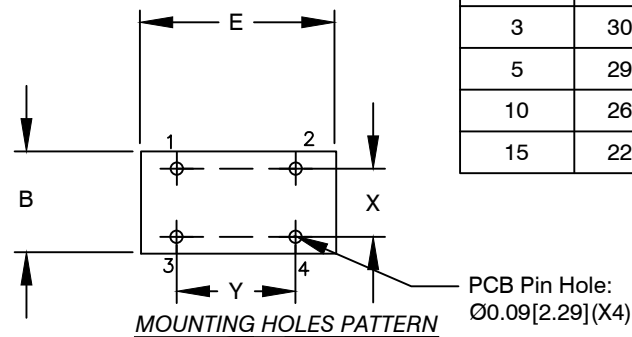
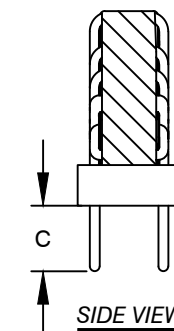
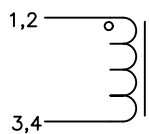
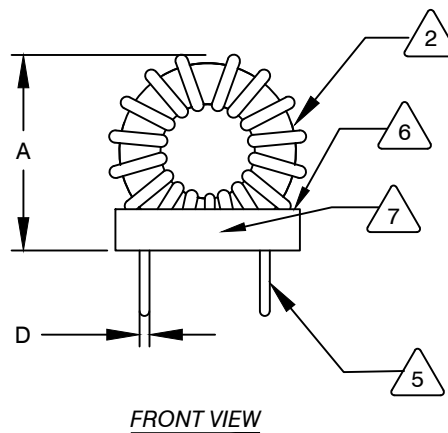
1 MATERIAL: UL RECOGNIZED 94V-0 FOR FLAMMABILITY

ANY TOLERANCE. THIS DIM. CAN VARY A LITTLE FROM PART TO PART.

"TYP" IN DIM. TOL. TABLE REFERS TO A NON-CRITICAL TYPICAL (AVERAGE) DIM. WITHOUT

NOTES: UNLESS OTHERWISE SPECIFIED, READ NOTES FROM BOTTOM UP.

CAGE CODE: 5DME2



**DC BIAS TABLE**

DC BIAS (AMP)	L@1KHz (REF)
0	306uH
1	306uH
3	300uH
5	290uH
10	261uH
15	224uH

CODE IDENT	MFG. P/N	DESCRIPTION	ITEM NO.
<b>PARTS LIST</b>			
AUTOCAD	X	<b>COILWS COM, INC</b> www.coilws.com	CWS Coil Winding Specialist. 353 West Grove Ave. Orange, CA 92865
SOLIDWORKS			
DRAWN	KLC	DATE	02/14/11
CHECKED	AK	DATE	02/14/11
ENGR.	KLC	DATE	02/14/11
APPR.	KLC	DATE	02/14/11
TITLE:		Toroidal Power Chokes 300uH, 15 Amps, Potted	
SIZE	DWG. NO.	CWS-1HF-11361	REV B
SCALE		NOT_TO_SCALE	SHEET 1 OF 1

UNLESS OTHERWISE SPECIFIED	
DIMENSIONING AND TOLERANCE PER ANSI Y14.5M	
ALL DIMENSIONS ARE IN INCHES AND [MILLIMETERS].	
TOLERANCE INCHES: .XXX=±.005 .XX=±.015 <math>\angle = \pm 0^{\circ}30'</math>	
TOLERANCE METRICS: .XXX=±.127 .XX=±.38 <math>\angle = \pm 0^{\circ}30'</math>	
ANGLE PROJECTION	
DO NOT SCALE DRAWING	

CAD-FILE: