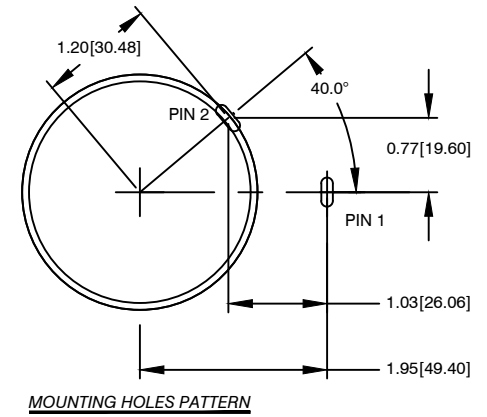
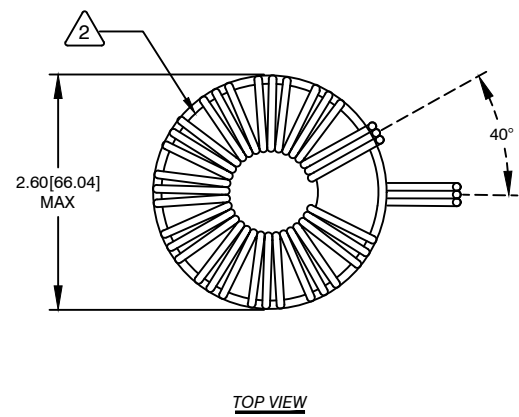
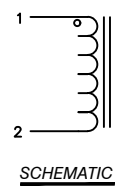


The information contained in this drawing is the sole property of CWS Coil Winding Specialist. Any reproduction in part or whole without written permission of CWS Coil Winding Specialist is prohibited.



REVISION HISTORY						
REV	ECN	DESCRIPTION	SIGN & DATE			
			BY	DATE	CHK	DATE
A		INITIAL RELEASE	KLC	4/27/10	AK	4/27/10
B		UPDATED SPEC.	TN	08/31/2020	JL	08/31/2020

6 BUILD TO RoHS COMPLIANCE AND LEAD FREE

5 TO THE CORE MUST REST FLAT ON PCB). LEADS MUST BE TANGENT FLUSH WITH THE COIL EDGE, AS SHOWN (I.E. COIL REMOVE INSULATION AND TIN LEADS PER DWG

4 WIND COILS EVENLY SPACED AROUND THE CORE CONSTRUCTION:

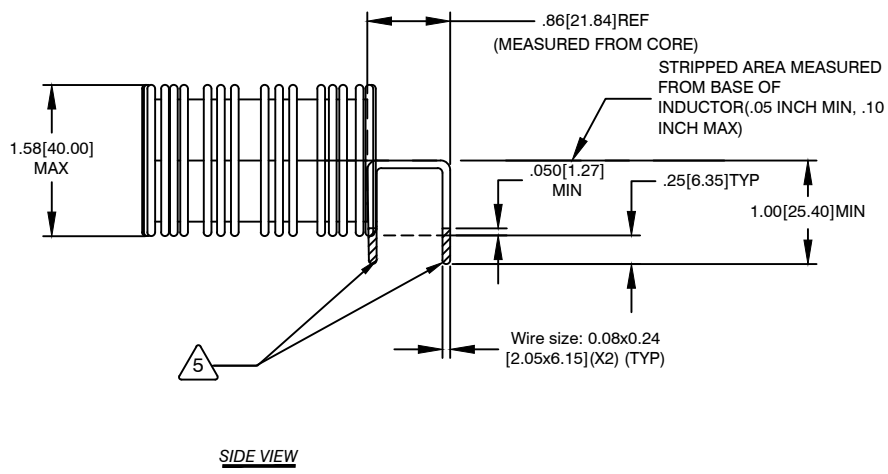
WEIGHT: 495 GRAMS TYPICAL
 OPERATING TEMPERATURE RANGE: -40°C TO 155°C
 INTERWINDING CAPACITANCE = 14pF TYP @ SRF
 HI-POT TEST FOR WINDING TO CORE ISOLATION = 500 VDC MIN
 |Z| = 1.20 KILO-OHMS TYP. @ SRF
 SRF: GREATER THAN 10MHz TYPICAL
 INDUCTANCE @ DC BIAS: SEE TABLE ON THE RIGHT
 CURRENT RATING : 35 AMPS, 60°C TEMP. RISE, WITH SOME AIRFLOW
 DCR = 2.0 MILLI-OHMS MAX.
 INDUCTANCE = 18uH ±15% @ 0A DC BIAS, 1 KHz, 250mV
 SPECIFICATIONS @ 25°C:

2 WIRE: UL RECOGNIZED 200°C RATED MAGNET WIRE
 CORE: TOROIDAL POWDERED CORE

1 RATING CLASS H (180°C MIN.) REQUIRED
 MATERIAL: UL RECOGNIZED 94V-0 FOR FLAMMABILITY

ANY TOLERANCE. THIS DIM. CAN VARY A LITTLE FROM PART TO PART.
 "TYP" IN DIMENSIONAL TOLERANCES, IF APPLICABLE, REFERS TO A NON-CRITICAL TYPICAL (AVERAGE) DIM. WITHOUT

NOTES: UNLESS OTHERWISE STATED, READ FROM BOTTOM UP.



DC BIAS TABLE

DC BIAS (AMP)	L@1KHz (REF)
0	18uH
5	18uH
10	18uH
15	17uH
20	17uH
25	16uH
30	16uH
35	15uH

CODE IDENT	MFG. P/N	DESCRIPTION	ITEM NO.
PARTS LIST			
AUTOCAD	X	COILWS.COM, INC www.coilws.com	CWS Coil Winding Specialist. 353 W Grove Ave Orange, CA 92865
SOLIDWORKS			
DRAWN	KLC	DATE	12/15/09
CREATED	AK	DATE	12/15/09
ENGR.	KLC	DATE	12/15/09
APPR.	KLC	DATE	12/15/09
TITLE: Toroidal Inductor 18uH, 35 Amps		SIZE	DWG. NO.
		B	CWS-1MF-11433
		SCALE	1=1
		SHEET 1 OF 1	

UNLESS OTHERWISE SPECIFIED
 DIMENSIONING AND TOLERANCE PER ANSI Y14.5M
 ALL DIMENSIONS ARE IN INCHES AND (MILLIMETERS).
 TOLERANCE INCHES:
 .XXX±.005 .XX±.015 <I=±0.30
 TOLERANCE METRICS:
 .XXX±.127 .XX±.38 <I=±0.30
 ANGLE PROJECTION
 DO NOT SCALE DRAWING