

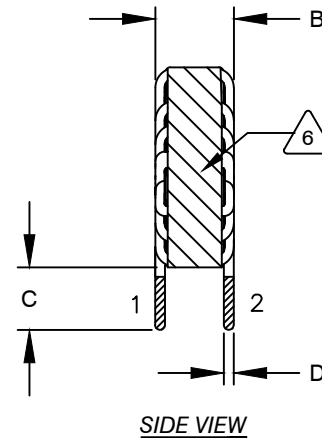
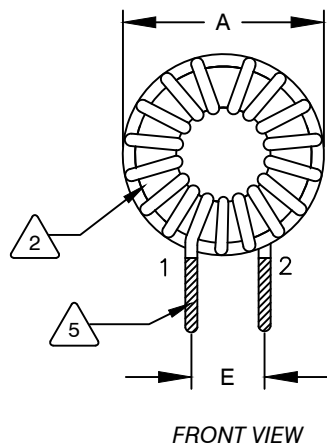
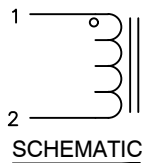
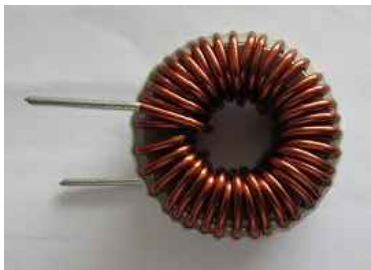
The information contained in this drawing is the sole property of CWS Coil Winding Specialist. Any reproduction in part or whole without written permission of CWS Coil Winding Specialist is prohibited.

DIMENSIONAL TOLERANCES
INCHES [MM]

A MAX	B MAX	C	D REF	E REF
1.56 [39.62]	0.70 [17.78]	0.50±0.05 [12.70±1.27]	0.065 [1.65]	0.40 [10.14]

REVISION HISTORY

REV	ECN	DESCRIPTION	SIGN & DATE			
			BY	DATE	CHK	DATE
C	—	REVISED PER CUSTOMER PROPOSAL	KLC	3/1/10	AK	3/10/10
C1	—	UPDATED SPEC.	TN	08/31/2020	JL	08/31/2020



DC BIAS TABLE

DC BIAS (AMP)	L@100KHz (REF)
0	96uH
1	96uH
2	96uH
3	95uH
4	95uH

7 BUILD TO RoHS COMPLIANCE AND LEAD FREE.

WHERE SHOWN

MARK PART NUMBER, REVISION AND DATE CODE

6 WRAP INDUCTOR WITH 3M # 79 OR EQUAL

5 FORM LEADS TO DIMENSIONS SHOWN.

REMOVE INSULATION AND TIN LEADS AS INDICATED.

WIND COILS EVENLY SPACED AROUND THE CORE

CONSTRUCTION:

THESE SPECIFICATIONS ARE BASED ON LOW RIPPLE CURRENT

WEIGHT: 70 GRAMS TYPICAL

INTERWINDING CAPACITANCE = 23pF TYP @ SRF

SRF = 3.3 MHz TYPICAL

|Z| = 8.8 KILO-OHMS TYP @ SRF

RECOMMENDED OPERATING TEMP: -40°C TO 125°C

HI-POT TEST FOR WINDING TO CORE ISOLATION = 500VDC MIN.

CURRENT RATING : 4 AMPS, 40°C TEMP. RISE WITH SOME AIR FLOW

DCR = 20.0 MILLI-OHMS MAX.

INDUCTANCE @ DC BIAS: SEE TABLE ON THE RIGHT

INDUCTANCE = 95uH±15% @ 0 AMP DC BIAS, 100 KHz, 250mV

3 SPECIFICATIONS: @ 25°C:

2 WIRE: UL RECOGNIZED 200°C RATED MAGNET WIRE

CORE: POWDERED TOROIDAL CORE

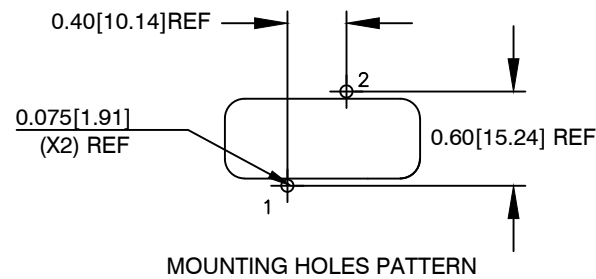
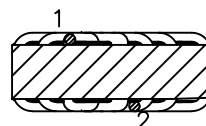
1 MATERIAL: UL RECOGNIZED 94V-0 FOR FLAMMABILITY, RATING CLASS B (130°C MIN.) REQUIRED

ANY TOLERANCE. THIS DIM. CAN VARY A LITTLE FROM PART TO PART.

"TYP" IN DIM. TOL. TABLE REFERS TO A NON-CRITICAL TYPICAL (AVERAGE) DIM. WITHOUT

NOTES: UNLESS OTHERWISE STATED, READ NOTES FROM BOTTOM UP.

CAGE CODE: 5DME2



CODE IDENT	MFG. P/N	DESCRIPTION	ITEM NO.
PARTS LIST			
AUTOCAD	X	COILWS COM, INC www.coilws.com	CWS Coil Winding Specialist. 353 West Grove Ave. Orange, CA 92865
SOLIDWORKS			
DRAWN	KLC 2/15/10	TITLE: TOROIDAL POWER INDUCTOR 95 uH, 4 Amps, Vertical	
CHECKED	AK 2/15/10		
ENGR.	KLC 2/15/10		
APPR.	KLC 2/15/10		
SIZE	DWG. NO.	CWS-1MF-11505	REV C1
SCALE	2=1		SHEET 1 OF 1

UNLESS OTHERWISE SPECIFIED	
DIMENSIONING AND TOLERANCE PER ANSI Y14.5M	
ALL DIMENSIONS ARE IN INCHES AND [MILLIMETERS].	
TOLERANCE INCHES:	XXX=±.005 .XX=±.015 $\sphericalangle=±0°30'$
TOLERANCE METRICS:	.XXX=±.127 .XX=±.38 $\sphericalangle=±0°30'$
ANGLE PROJECTION	
DO NOT SCALE DRAWING	

CAD-FILE: