

The information contained in this drawing is the sole property of CWS Coil Winding Specialist. Any reproduction in part or whole without written permission of CWS Coil Winding Specialist is prohibited.



MECHANICAL DIMENSION					
H MAX	L MAX	W MAX	D(X4) TYP	X REF	Y REF
1.65 [41.91]	1.65 [41.91]	0.95 [24.13]	0.051 [1.30]	1.20 [30.48]	0.70 [17.78]

REVISION HISTORY					
REV	ECN	DESCRIPTION	SIGN & DATE		
			BY	DATE	CHK DATE
A		PRODUCTION RELEASE	JZ	10/11/10	JAU 10/11/10
B		UPDATED SPEC.	TN	08/31/2020	JL 08/31/2020

8 BUILT TO RoHS COMPLIANCE AND LEAD FREE

7 MARK CUSTOMER PART NUMBER, REVISION AND DATE CODE

6 ADD EPOXY WHERE SHOWN

5 PINS 2 & 4 ARE NOT USED BUT STILL ON THE BASE AS IS
TIN LEADS 1 & 3 AND TRIM PER MIN. LENGTH AS SPECIFIED.
PULL LEADS THROUGH BASE AS SELF LEAD.
OF WINDING WIRE LEADS THEN
REMOVE PINS 1 & 3 FROM BASE, REMOVE INSULATION
CONSTRUCTION:

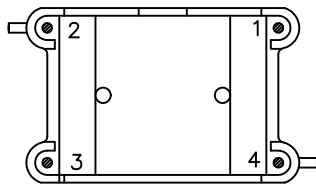
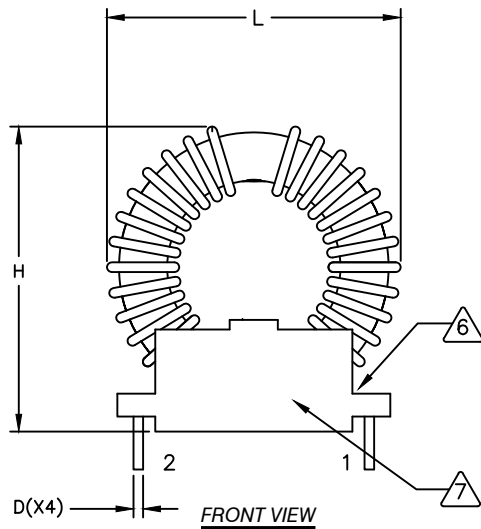
WEIGHT: 75 GRAMS TYPICAL
OPERATING TEMP. RANGE: -40°C TO 155°C
HI-POT WINDING-TO-WINDING 1250 VAC, 10 SEC
TEMPERATURE RISE @ IDC LESS THAN 20°C WITH SOME AIRFLOW
INTERWINDING CAPACITANCE = 49pF TYP @ SRF
|Z| = 17 KILO-OMS TYP @ SRF
SRF = 1.37 MHz TYPICAL
INDUCTANCE @ DC BIAS: SEE TABLE ON THE RIGHT
RATED CURRENT = 4 AMPS RMS MAX
DCR = 50.0 MILLI-OHMS MAX PER WINDING
INDUCTANCE = 300uH ± 15% @ 100KHz, 250mVrms
SPECIFICATIONS @ 25°C:

2 WIRE: UL RECOGNIZED 200°C RATED MAGNET WIRE
CORE: TOROIDAL POWDERED CORE

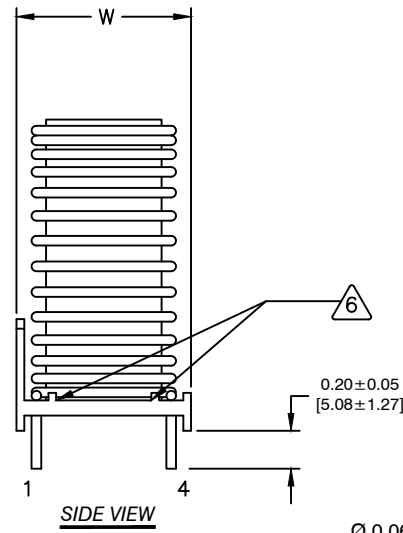
1 RATING UL-CLASS H (180°) REQUIRED
MATERIAL: UL RECOGNIZED 94V-0 FLAMMABILITY FOR BOBBIN

ANY TOLERANCE. THIS DIM. CAN VARY A LITTLE FROM PART TO PART.
"TYP" IN DIM. TOL. TABLE REFERS TO A NON-CRITICAL TYPICAL (AVERAGE) DIM. WITHOUT

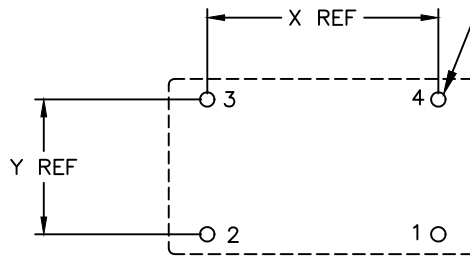
NOTES: UNLESS OTHERWISE SPECIFIED, READ NOTES FROM BOTTOM UP.
CAGE CODE: 5DME2



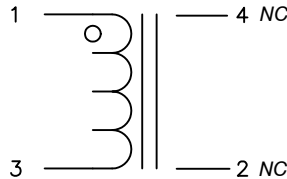
BOTTOM VIEW



SIDE VIEW



MOUNTING HOLES PATTERN



SCHEMATIC

DC BIAS TABLE

DC BIAS (AMP)	L@100KHz (REF)
0	285uH
1	284uH
2	280uH
3	277uH
4	271uH

CODE IDENT	MFG. P/N	DESCRIPTION	ITEM NO.
PARTS LIST			
AUTOCAD SOLIDWORKS	X		
DRAWN KLC	DATE 2/12/10	CWS Coil Winding Specialist. 353 W Grove Ave Orange, CA 92865	TITLE: Toroidal Inductor 300 uH, 4 Amps, Horizontal With Base
DESIGN AK	DATE 2/12/10		
ENGR KLC	DATE 2/12/10		
APPR KLC	DATE 2/12/10		
SCALE 2=1		SHEET 1 OF 1	

UNLESS OTHERWISE SPECIFIED
DIMENSIONING AND TOLERANCE PER ANSI Y14.5M
ALL DIMENSIONS ARE IN INCHES AND (MILLIMETERS).
TOLERANCE INCHES: .XXX±0.005 .XX±0.015 \angle±0°30'
TOLERANCE METRICS: .XXX±0.127 .XX±0.38 \angle±0°30'
ANGLE PROJECTION
DO NOT SCALE DRAWING

CAD-FILE: