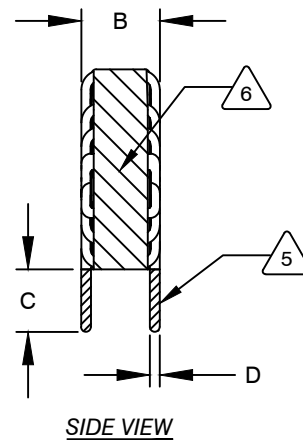
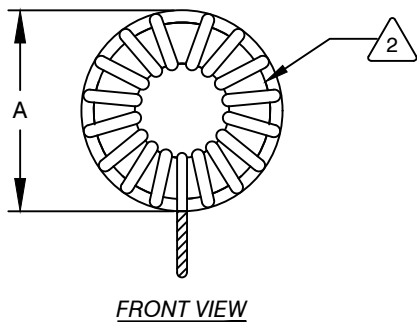
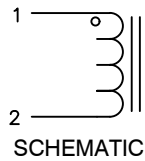


The information contained in this drawing is the sole property of CWS Coil Winding Specialist. Any reproduction in part or whole without written permission of CWS Coil Winding Specialist is prohibited.

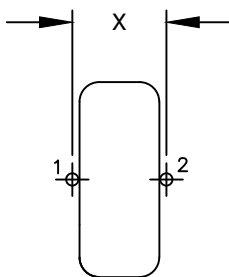
DIMENSIONAL TOLERANCES INCHES [MM]				
A MAX	B MAX	C MIN	D REF	X REF
0.97 [24.70]	0.40 [10.16]	0.50 [12.70]	0.04 [1.02]	0.40 [10.16]

REVISION HISTORY						
REV	ECN	DESCRIPTION	SIGN & DATE			
			BY	DATE	CHK	DATE
A	—	PRODUCTION RELEASE	TN	08/31/2020	JL	08/31/2020



DC BIAS TABLE

DC BIAS (AMP)	L@ 1KHz (REF)
0	31uH
2	31uH
4	30uH
6	29uH
7	28uH



7 BUILD TO RoHS COMPLIANCE AND LEAD FREE.

6 MARK PART NUMBER, REVISION AND DATE CODE
WRAP INDUCTOR WITH 3M # 79 OR EQUAL

5 (I.E. COIL MUST REST FLAT ON PCB). LEADS MUST BE TANGENT TO THE CORE
REMOVE INSULATION AND TIN LEADS 0.5 INCH, FLUSH WITH THE COIL EDGE

4 WIND COILS EVENLY SPACED AROUND THE CORE
CONSTRUCTION:

WEIGHT: 14 GRAMS TYPICAL

RECOMMENDED AMBIENT OPERATING TEMP: -40°C TO 155°C

HI-POT TEST FOR WINDING TO CORE ISOLATION = 500VDC MIN.

INTERWINDING CAPACITANCE = 8.16pF TYP @ SRF

|Z| = 1.95 KILO-OHMS TYP @ SRF

SRF: >10MHz TYPICAL

INDUCTOR CURRENT RATING : 7.0 AMPS, 40°C TEMP. RISE WITH SOME AIRFLOW

DCR = 18.0 MILLI-OHMS MAX.

INDUCTANCE @ DC BIAS: SEE TABLE ON THE RIGHT

INDUCTANCE = 31uH±10% @ 0 AMP DC BIAS, 1.0 KHz, 250mV

3 SPECIFICATIONS: @ 25°C:

2 WIRE: UL RECOGNIZED 200°C RATED MAGNET WIRE
CORE: TOROIDAL POWDERED CORE

1 MATERIAL: UL RECOGNIZED 94V-0 FOR FLAMMABILITY, RATING CLASS H (180°C MIN.) REQUIRED

ANY TOLERANCE. THIS DIM. CAN VARY A LITTLE FROM PART TO PART.

"TYP" IN DIM. TOL. TABLE REFERS TO A NON-CRITICAL TYPICAL (AVERAGE) DIM. WITHOUT

NOTES: UNLESS OTHERWISE STATED, READ NOTES FROM BOTTOM UP.

CAGE CODE: 5DME2

UNLESS OTHERWISE SPECIFIED	
DIMENSIONING AND TOLERANCE PER ANSI Y14.5M	
ALL DIMENSIONS ARE IN INCHES AND [MILLIMETERS].	
TOLERANCE INCHES: .XXX=±.005 .XX=±.015 $\angle=±0°30'$	
TOLERANCE METRICS: .XXX=±.127 .XX=±.38 $\angle=±0°30'$	
ANGLE PROJECTION	
DO NOT SCALE DRAWING	

CODE IDENT	MFG. P/N	DESCRIPTION	ITEM NO.
PARTS LIST			
AUTOCAD	X	COILWS COM, INC www.coilws.com	CWS Coil Winding Specialist. 353 W. Grove Ave. Orange, CA 92865
SOLIDWORKS			
SIGN	DATE	TITLE: TOROIDAL POWER INDUCTOR 31uH, 7.0 Amps, Vertical	
DRAWN	TN 08/31/2020		
CHECKED	JM 08/31/2020		
ENGR.	JL 08/31/2020		
APPR.	JL 08/31/2020		
SIZE	DWG. NO.	REV	
B	CWS-1MF-11608	A	
SCALE	2=1	SHEET	1 OF 1

CAD-FILE: