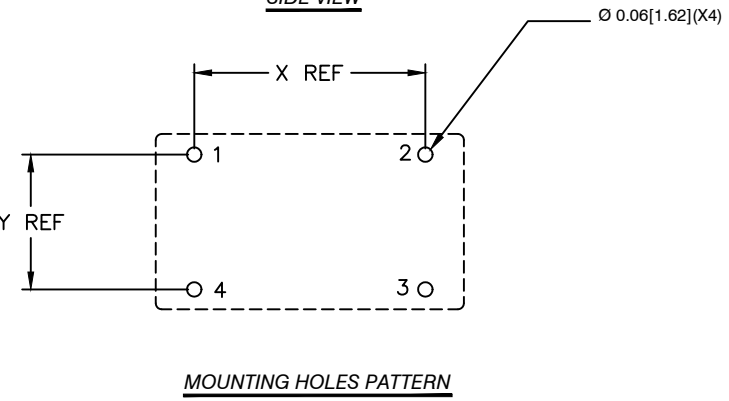
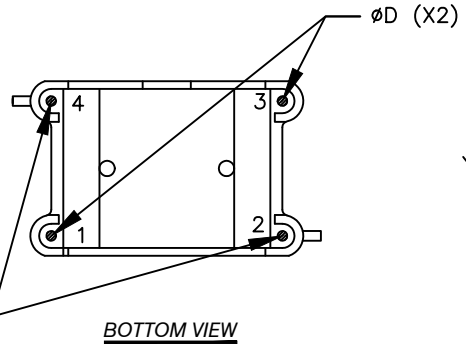
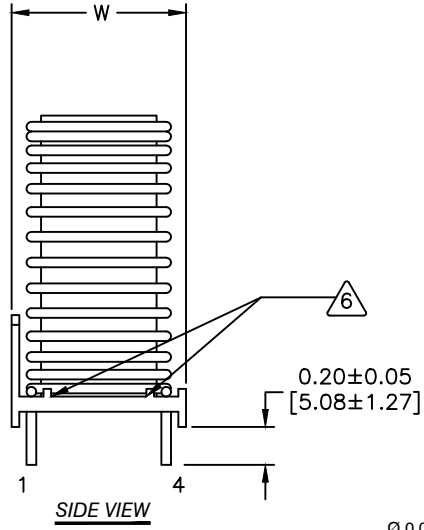
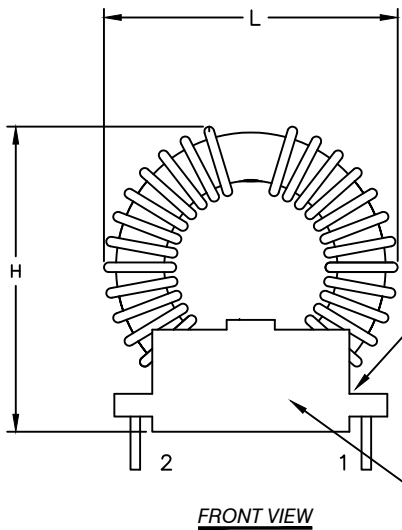


The information contained in this drawing is the sole property of CWS Coil Winding Specialist. Any reproduction in part or whole without written permission of CWS Coil Winding Specialist is prohibited.



MECHANICAL DIMENSION					
H MAX	L MAX	W MAX	D (1 & 3) TYP	X REF	Y REF
2.05 [52.07]	1.97 [50.04]	1.15 [29.21]	0.06 [1.52]	1.50 [38.15]	0.90 [22.90]

REVISION HISTORY					
REV	ECN	DESCRIPTION	SIGN & DATE		
			BY	DATE	CHK DATE
A		PRODUCTION RELEASE	JZ	10/11/10	JAU 10/11/10
B		UPDATED SPEC.	TN	08/31/2020	JL 08/31/2020



DC BIAS TABLE	
DC BIAS (AMP)	L@50KHz (REF)
0	707uH
1	702uH
2	688uH
4	655uH
6	597uH
7	563uH
7.2	555uH

- 7 BUILT TO RoHS COMPLIANCE AND LEAD FREE
- 7 MARK CUSTOMER PART NUMBER, REVISION AND DATE CODE
- 6 ADD EPOXY WHERE SHOWN
- 5 PINS 2 & 4 ARE NOT USED BUT STILL ON THE BASE AS IS TIN LEADS 1 & 3 AND TRIM PER MIN. LENGTH AS SPECIFIED. PULL LEADS THROUGH BASE AS SELF LEAD OF WINDING WIRE LEADS THEN REMOVE PINS 1 & 3 FROM BASE, REMOVE INSULATION CONSTRUCTION:

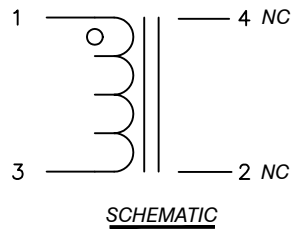
WEIGHT: 152 GRAMS TYPICAL
 OPERATING TEMP. RANGE: -40°C TO 125°C
 HI-POT WINDING-TO-WINDING 1250 VAC, 10 SEC
 TEMPERATURE RISE @ IDC LESS THAN 37°C WITH SOME AIRFLOW
 INTERWINDING CAPACITANCE = 78pF TYP @ SRF
 |Z| = 31.3 KILO-OMS TYP@ SRF
 SRF = 678KHz TYPICAL
 INDUCTANCE @ DC BIAS: SEE TABLE ON THE RIGHT
 RATED CURRENT = 7.2 AMPS RMS MAX
 DCR = 70.0 MILLI-OHMS MAX PER WINDING
 INDUCTANCE = 700uH±15% @ 50KHz, 250mVrms
 3 SPECIFICATIONS @ 25°C:

WIRE: UL RECOGNIZED 200°C RATED MAGNET WIRE
 FR4 SPACER: 3.00 MM MINIMUM THICKNESS
 HEADER: UL CERTIFIED TOROID BASE
 CORE: POWDERED CORE

RATING UL-CLASS H (180°) REQUIRED
 1 MATERIAL: UL RECOGNIZED 94V-0 FLAMMABILITY FOR BOBBIN

ANY TOLERANCE. THIS DIM. CAN VARY A LITTLE FROM PART TO PART.
 "TYP" IN DIM. TOL. TABLE REFERS TO A NON-CRITICAL TYPICAL (AVERAGE) DIM. WITHOUT

NOTES: UNLESS OTHERWISE SPECIFIED, READ NOTES FROM BOTTOM UP.
 CAGE CODE: 5DME2



CODE IDENT	MFG. P/N	DESCRIPTION	ITEM NO.
PARTS LIST			
AUTOCAD SOLIDWORKS	X		
DRAWN	JZ	10/11/10	CWS-1MF-11613 CWS Coil Winding Specialist. 353 W Grove Ave Orange, CA 92865
DESIGN	JL	10/11/10	
ENGR.	JM	10/11/10	
APPR.	JL	10/11/10	
UNLESS OTHERWISE SPECIFIED		TITLE: Toroidal Inductor 700 uH, 7.2 Amps, Horizontal With Base	
DIMENSIONING AND TOLERANCE PER ANSI Y14.5M		SIZE: B	
ALL DIMENSIONS ARE IN INCHES AND (MILLIMETERS).		Dwg. No. CWS-1MF-11613	
TOLERANCE INCHES: .XXX±0.005 .XX±0.015 .X±0.030		SCALE: 2=1	
TOLERANCE METRICS: .XXX±0.127 .XX±0.38 .X±0.730		SHEET 1 OF 1	
ANGLE PROJECTION		REV B	
DO NOT SCALE DRAWING		CAD-FILE:	