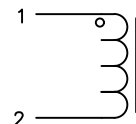
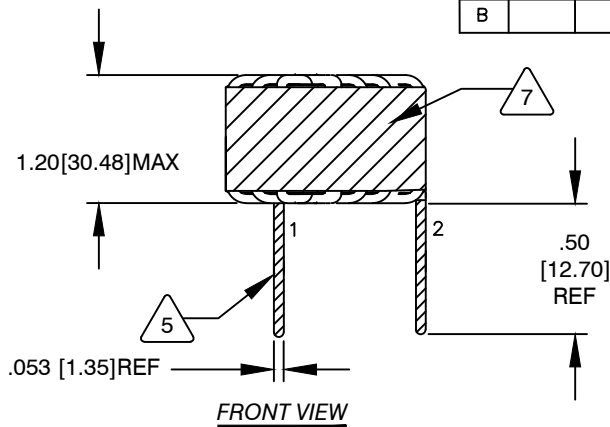


The information contained in this drawing is the sole property of Coil Winding Specialist, Inc. Any reproduction in part or whole without written permission of Coil Winding Specialist, Inc. is prohibited.



REVISION HISTORY						
REV	ECN	DESCRIPTION	SIGN & DATE			
			BY	DATE	CHK	DATE
A1		NOTES UPDATED	GN	08/02/11	JLAU	08/02/11
B		UPDATED SPEC.	TN	08/31/2020	JL	08/31/2020

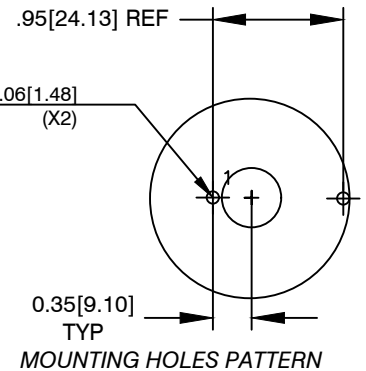
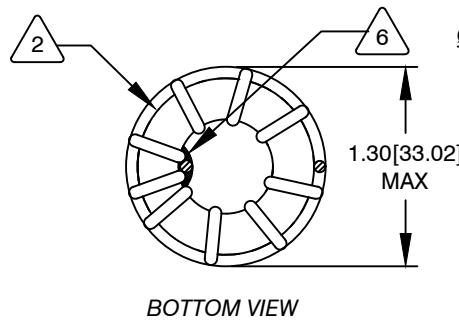


SCHEMATIC

DC BIAS TABLE

DC BIAS (AMP)	L@10KHz (REF)
0	325uH
1	324uH
2	321uH
4	309uH
6	292uH
8	273uH
8.5	267uH

- 8 BUILD TO RoHS COMPLIANCE AND LEAD-FREE
- 7 LABEL PART NUMBER, REVISION AND DATE CODE
- 6 WRAP INDUCTOR WITH GLASS TAPE AND
- 6 APPLY EPOXY TO HOLD INNER LEAD AS SHOWN
- 5 REMOVE INSULATION AND TIN LEADS 0.50 INCH
- 4 WIND COILS EVENLY SPACED AROUND THE CORE CONSTRUCTION:
- WEIGHT: 95 GRAMS
- HI-POT TEST FOR WINDING TO CORE ISOLATION = 500VDC MIN
- STORAGE TEMP. RANGE = -45°C TO +130°C
- OPERATING TEMP. RANGE = -40°C TO +125°C
- INTERWINDING CAPACITANCE = 51pF TYP @ SRF
- |Z| = 17 KILO-OHMS TYP @ SRF
- SRF = 1.24 MHz TYPICAL
- CURRENT RATING : 8.5 AMPS, 40°C TEMP. RISE WITH SOME AIR FLOW
- DCR = 50.0 MILLI-OHMS MAX.
- INDUCTANCE @ BIAS: SEE TABLE ON THE RIGHT.
- INDUCTANCE = 330 uH ±10% @ LOW DC BIAS, 10 KHz, 250mV
- 3 SPECIFICATIONS @ 25°C:



- 2 WIRE: UL RECONIZED 200°C RATED MAGNET WIRE
- 2 CORE: TOROIDAL POWDERED CORE

- 1 RATING CLASS H (180°C MIN.) REQUIRED
- 1 MATERIAL: UL RECOGNIZED 94V-0 FOR FLAMMABILITY

WITHOUT ANY TOLERANCE. THIS DIM. CAN VARY A LITTLE FROM PART TO PART.  
"TYP" IN DIM. TOL., IF APPLICABLE, REFERS TO A NON-CRITICAL TYPICAL (AVERAGE) DIM.

NOTES: UNLESS OTHERWISE SPECIFIED, READ NOTES FROM BOTTOM UP.

CAGE CODE: 5DME2

UNLESS OTHERWISE SPECIFIED	
DIMENSIONING AND TOLERANCE PER ANSI Y14.5M	
ALL DIMENSIONS ARE IN INCHES AND [MILLIMETERS].	
TOLERANCE INCHES: .XXX=±.005 .XX=±.015 <math>\angle = \pm 0^\circ 30'</math>	
TOLERANCE METRICS: .XXX=±.127 .XX=±.38 <math>\angle = \pm 0^\circ 30'</math>	
ANGLE PROJECTION	
DO NOT SCALE DRAWING	

CODE IDENT	MFG. P/N	DESCRIPTION	ITEM NO.
<b>PARTS LIST</b>			
AUTOCAD	X	<b>sales@coilws.com</b> www.coilws.com	Coil Winding Specialist, Inc. 353 W Grove Ave Orange, CA 92865
SOLIDWORKS			
DRAWN	GN 06/17/11	<b>TITLE:</b> Toroidal Power Inductor 330 uH, 8.5 Amp	
CHECKED	JLAU 06/17/11		
ENGR.	JLAU 06/17/11		
APPR.	JLAU 06/17/11		
SIZE	B	DWG. NO.	CWS-1MF-11899
SCALE	NOT_TO_SCALE	REV	B
			SHEET 1 OF 1

CAD-FILE: