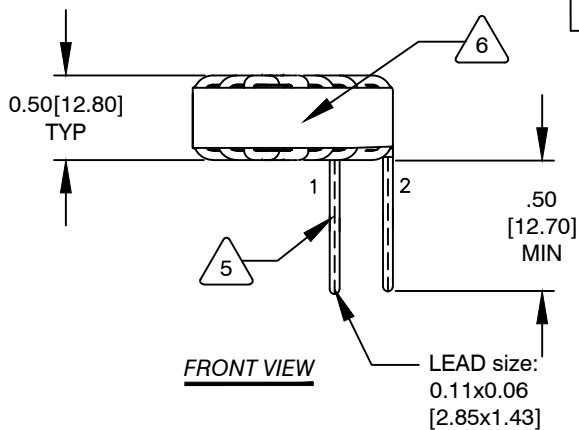
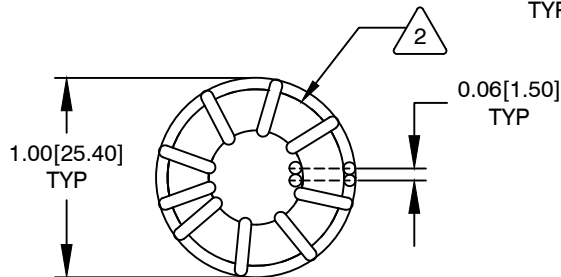


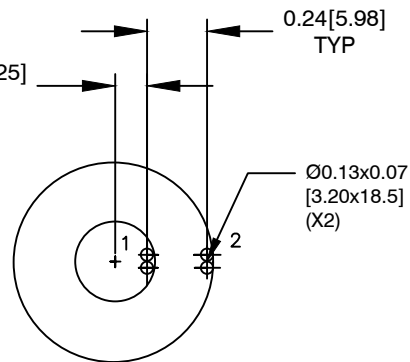
The information contained in this drawing is the sole property of Coil Winding Specialist, Inc. Any reproduction in part or whole without written permission of Coil Winding Specialist, Inc. is prohibited.



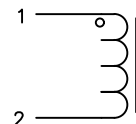
FRONT VIEW



BOTTOM VIEW



MOUNTING HOLES PATTERN



SCHEMATIC

DC BIAS TABLE

DC BIAS (AMP)	L@1KHz (REF)
0	15uH
5	13uH
10	11uH
15	9uH
20	8uH
25	7uH

- 8 BUILD TO RoHS COMPLIANCE AND LEAD-FREE
- 7 CUSTOM PACKAGE
- 6 LABEL PART NUMBER, REVISION AND DATE CODE WRAP INDUCTOR WITH GLASS TAPE AND
- 5 REMOVE INSULATION AND TIN LEADS 0.50 INCH WIND COILS EVENLY SPACED AROUND THE CORE CONSTRUCTION:

WEIGHT: 27 GRAMS
 HI-POT TEST FOR WINDING TO CORE ISOLATION = 500VDC MIN
 OPERATING TEMP. RANGE = -40°C TO +125°C
 INTERWINDING CAPACITANCE = 19.5pF TYP @ SRF
 |Z| = 820 OHMS TYP @ SRF
 SRF > 10 MHz TYPICAL
 CURRENT RATING : 25 AMPS, 40°C TEMP. RISE WITH SOME AIR FLOW
 DCR = 3.0 MILLI-OHMS MAX.
 INDUCTANCE @ BIAS: SEE TABLE ON THE RIGHT.
 INDUCTANCE = 16 uH ±10% @ 0A DC BIAS, 1 KHz, 250mV
 SPECIFICATIONS @ 25°C:

- 3 WIRE: UL RECONIZED 200°C RATED MAGNET WIRE
- 2 CORE: TOROIDAL POWDERED CORE

- RATING CLASS H (180°C MIN.) REQUIRED
- 1 MATERIAL: UL RECOGNIZED 94V-0 FOR FLAMMABILITY

WITHOUT ANY TOLERANCE. THIS DIM. CAN VARY A LITTLE FROM PART TO PART.
 "TYP" IN DIM. TOL., REFERS TO A NON-CRITICAL TYPICAL (AVERAGE) DIM.

NOTES: UNLESS OTHERWISE SPECIFIED, READ NOTES FROM BOTTOM UP.

CAGE CODE: 5DME2

UNLESS OTHERWISE SPECIFIED	
DIMENSIONING AND TOLERANCE PER ANSI Y14.5M	
ALL DIMENSIONS ARE IN INCHES AND [MILLIMETERS].	
TOLERANCE INCHES: .XXX=±.005 .XX=±.015 $\angle=±0°30'$	
TOLERANCE METRICS: .XXX=±.127 .XX=±.38 $\angle=±0°30'$	
ANGLE PROJECTION	
DO NOT SCALE DRAWING	

CODE IDENT	MFG. P/N	DESCRIPTION	ITEM NO.
PARTS LIST			
AUTOCAD	X	sales@coilws.com www.coilws.com	Coil Winding Specialist, Inc. 353 W Grove Ave Orange, CA 92865
SOLIDWORKS			
DRAWN	GN 10/04/11	Toroidal Power Inductor 16 uH, 25 Amp	
CHECKED	AK 10/04/11		
ENGR.	JLAU 10/04/11		
APPR.	JLAU 10/04/11		
SIZE	B	DWG. NO.	CWS-1MF-11925
SCALE	NOT_TO_SCALE	REV	B
			SHEET 1 OF 1