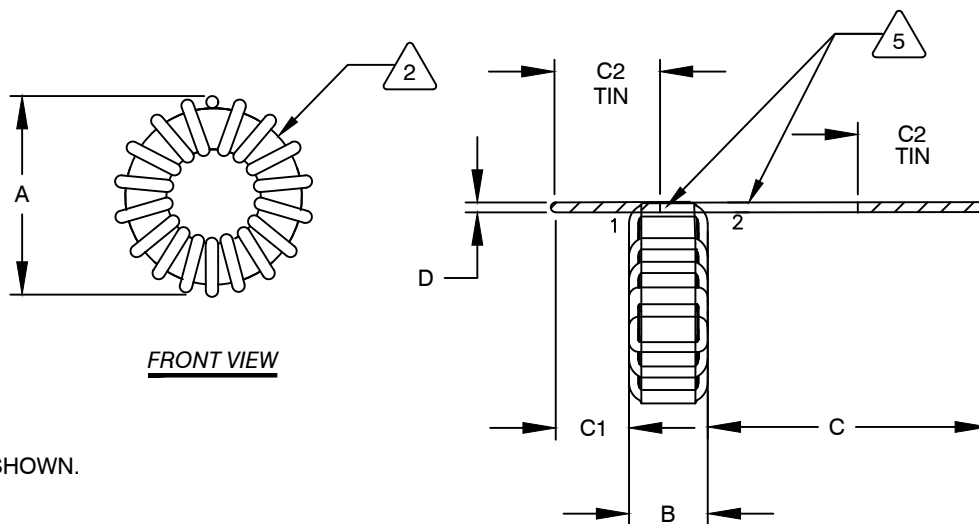
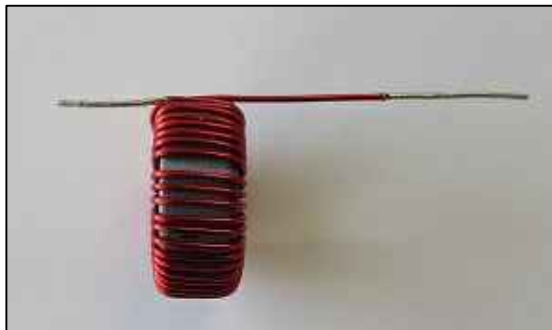


The information contained in this drawing is the sole property of Coil Winding Specialist. Any reproduction in part or whole without written permission of Coil Winding Specialist is prohibited.

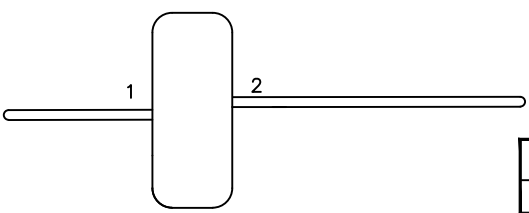
DIMENSIONAL TOLERANCES INCHES [MM]					
A	B	C	C1	C2 (TIN: X2)	D TYP
1.154 [29.312]	0.520 [13.208]	1.500 [38.100]	0.500 [12.700]	0.750 [19.050]	0.0258 [0.810]

REVISION HISTORY						
REV	ECN	DESCRIPTION	SIGN & DATE			
			BY	DATE	CHK	DATE
A		INITIAL DRAWING RELEASE	TN	12/05/2020	JL	12/05/2020



DC BIAS TABLE

DC BIAS (AMP)	L @ 168KHz (REF)
0	75.5uH
2	75.3uH
4	74.7uH
5	74.4uH
5.3	74.3uH



LEADS FORMING PATTERN

CODE IDENT	MFG. P/N	DESCRIPTION	ITEM NO.
PARTS LIST			
AUTOCAD	X	COILWS COM, INC www.coilws.com	CWS Coil Winding Specialist. 353 W Grove Ave Orange, CA 92865
SOLIDWORKS			
DRAWN	TN 12/05/2020	TITLE: Toroidal Power Inductor 76.8uH, 5.3 Amps	
CHECKED	JL 12/05/2020		
ENGR.	JL 12/05/2020		
APPR.	JL 12/05/2020		
SIZE	DWG. NO.	REV	
B	CWS-1MP-11400	A	
SCALE	N/A	SHEET 1 OF 1	

UNLESS OTHERWISE SPECIFIED
 DIMENSIONING AND TOLERANCE PER ANSI Y14.5M
 ALL DIMENSIONS ARE IN INCHES AND [MILLIMETERS].
 TOLERANCE INCHES:
 .XXX=±.005 .XX=±.015 $\angle = \pm 0^{\circ}30'$
 TOLERANCE METRICS:
 .XXX=±.127 .XX=±.38 $\angle = \pm 0^{\circ}30'$
 ANGLE PROJECTION
 DO NOT SCALE DRAWING

6 BUILD TO RoHS COMPLIANCE AND LEAD FREE

5 STRIP, TIN AND FORM LEADS PER SPECIFIED DIM AND PATTERN SHOWN.
 WIND COILS EVENLY SPACED AROUND THE CORE
 4 CONSTRUCTION:

WEIGHT = 23 GRAMS TYP
 HI-POT TEST FOR WINDING TO CORE ISOLATION = 1250VDC, 3mA, 5s.
 INDUCTANCE AT DC BIAS: SEE TABLE ON THE RIGHT.
 DCR = 89 MILI-OHMS TYPICAL
 INDUCTANCE = 76.8uH±15% @168KHz, 250 mV, 0ADC BIAS
 3 SPECIFICATIONS:

2 WIRE: UL RECOGNIZED 155°C RATED OR HIGHER MAGNET
 CORE: POWDER TOROIDAL CORE

RATING CLASS B (130°C MIN.) REQUIRED

1 MATERIAL: UL RECOGNIZED 94V-0 FOR FLAMMABILITY

ANY TOLERANCE. THIS DIM. CAN VARY A LITTLE FROM PART TO PART.
 "TYP" IN DIM. TOL. TABLE REFERS TO A NON-CRITICAL TYPICAL (AVERAGE) DIM. WITHOUT

NOTES: UNLESS OTHERWISE STATED, READ NOTES FROM BOTTOM UP.

CAGE CODE: 5DME2