

The information contained in this drawing is the sole property of CWS Coil Winding Specialist. Any reproduction in part or whole without written permission of CWS Coil Winding Specialist is prohibited.



7 BUILD TO RoHS COMPLIANCE AND LEAD FREE.

6 MARK PART NUMBER, REVISION AND DATE CODE WRAP INDUCTOR WITH GLASS TAPE

5 REMOVE INSULATION AND TIN LEADS 0.5 INCH
 4 WIND COILS EVENLY SPACED AROUND THE CORE CONSTRUCTION:

WEIGHT: 56 GRAMS TYPICAL
 |Z| = 10 KILO-OHMS TYP @ SRF
 INTERWINDING CAPACITANCE = 25pF TYP @ SRF
 SRF = 3.7MHz TYPICAL
 RECOMMENDED AMBIENT OPERATING TEMP: -55°C TO 155°C
 HI-POT TEST FOR WINDING TO CORE ISOLATION = 1250VDC, 5 SEC.
 INDUCTOR CURRENT RATING : 12 AMPS, 40°C TEMP. RISE WITH SOME AIR FLOW
 DCR = 12 MILLI-OHMS MAX.
 INDUCTOR DC BIAS: SEE TABLE ON THE RIGHT
 INDUCTANCE = 67uH±8% @ 0 AMP DC BIAS, 1.0 KHz, 250mV

3 SPECIFICATIONS: @ 25°C:

2 WIRE: UL RECOGNIZED 200°C RATED MAGNET WIRE
 CORE: POWDERED TOROIDAL CORE

1 MATERIAL: UL RECOGNIZED 94V-0 FOR FLAMMABILITY, RATING CLASS H (180°C MIN.) REQUIRED
 ANY TOLERANCE. THIS DIM. CAN VARY A LITTLE FROM PART TO PART.

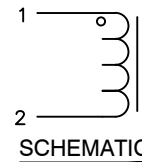
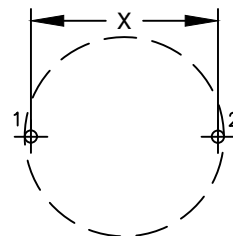
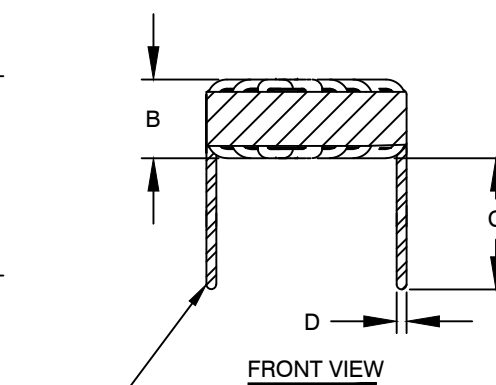
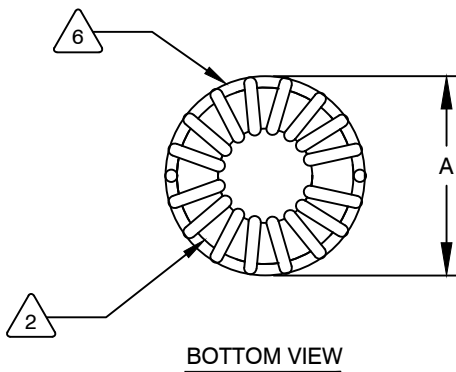
"TYP" IN DIM. TOL. TABLE REFERS TO A NON-CRITICAL TYPICAL (AVERAGE) DIM. WITHOUT

NOTES: UNLESS OTHERWISE STATED, READ NOTES FROM BOTTOM UP.

CAGE CODE: 5DME2

DIMENSIONAL TOLERANCES INCHES [MM]				
A MAX	B MAX	C TYP	D REF	X REF
1.34 [33.95]	0.69 [17.65]	0.50 [12.70]	0.06 [1.63]	1.22 [31.00]

REVISION HISTORY						
REV	ECN	DESCRIPTION	SIGN & DATE			
			BY	DATE	CHK	DATE
A	—	INITIAL DRAWING RELEASE	TN	12/05/2020	JL	12/05/2020



DC BIAS TABLE

DC BIAS (AMP)	L@ 1KHz (REF)
0	72uH
5	66uH
10	53uH
12	50uH

CODE IDENT	MFG. P/N	DESCRIPTION	ITEM NO.
PARTS LIST			
AUTOCAD	X	COILWS COM, INC www.coilws.com	CWS Coil Winding Specialist. 353 WEST GROVE AVE. ORANGE, CA 92865
SOLIDWORKS			
DRAWN	TN 12/05/2020	TITLE: TOROIDAL POWER INDUCTOR 67uH, 12 Amps, Horizontal	
CHECKED	JL 12/05/2020		
ENGR.	JL 12/05/2020		
APPR.	JL 12/05/2020		
SIZE	DWG. NO.	CWS-1MP-11491	REV A
SCALE	2=1	SHEET 1 OF 1	

UNLESS OTHERWISE SPECIFIED
DIMENSIONING AND TOLERANCE PER ANSI Y14.5M
ALL DIMENSIONS ARE IN INCHES AND [MILLIMETERS].
TOLERANCE INCHES: .XXX=±.005 .XX=±.015 $\angle=±0°30'$
TOLERANCE METRICS: .XXX=±.127 .XX=±.38 $\angle=±0°30'$
ANGLE PROJECTION
DO NOT SCALE DRAWING

CAD-FILE: