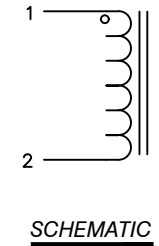
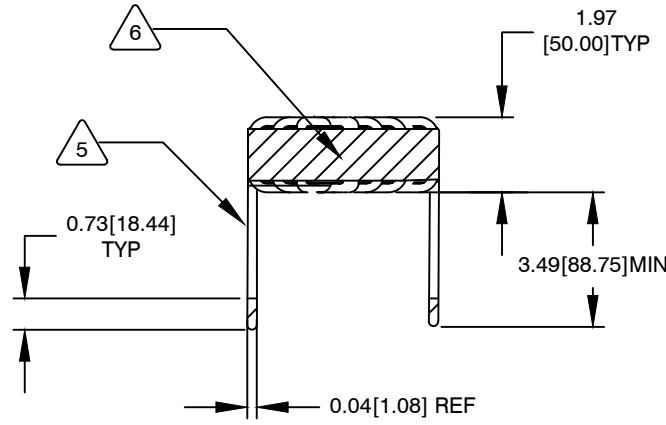


The information contained in this drawing is the sole property of CWS Coil Winding Specialist. Any reproduction in part or whole without written permission of CWS Coil Winding Specialist is prohibited.

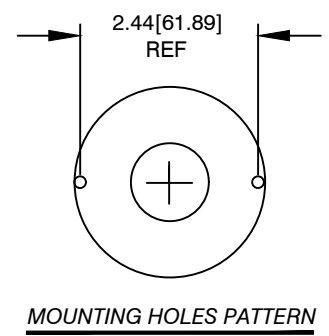
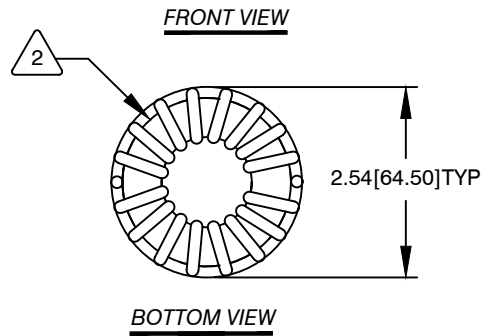


REVISION HISTORY						
REV	ECN	DESCRIPTION	SIGN & DATE			
			BY	DATE	CHK	DATE
A		INITIAL DRAWING RELEASE	TN	12/05/2020	JL	12/05/2020



DC BIAS TABLE

DC BIAS (AMP)	L@1KHz (REF)
0	15.7mH
1	14.6mH
2	12.3mH
3	11.0mH



- 7 BUILD TO RoHS COMPLIANCE AND LEAD FREE
- 6 LABEL PART NUMBER, REVISION AND DATE CODE WRAP INDUCTOR WITH GLASS TAPE
- 5 REMOVE INSULATION AND TIN LEADS TO SPECIFIED DIM SHOWN.
- 4 WIND COIL EVENLY SPACED AROUND THE CORE CONSTRUCTION:
 WEIGHT: 674 GRAMS TYPICAL
 OPERATING TEMP. RANGE = -40°C TO 155°C
 CURRENT RATING : 3 AMPS
 INTERWINDING CAPACITANCE = 296pF TYP @ SRF
 |Z| = 256 KILO-OHMS TYP @ SRF
 SRF = 73.85 KHz TYPICAL
 DCR = 45.5 MILLI-OHMS TYPICAL
 INDUCTANCE @ DC BIAS: SEE TABLE ON THE RIGHT.
 INDUCTANCE = 15.5mH ± 10% @ 0A DC BIAS, 1KHz, 250mV
- 3 SPECIFICATIONS @ 25°C:
 WIRE: UL RECOGNIZED 155°C RATED MAGNET WIRE or HIGHER
 CORE: POWDERED TOROIDAL CORE
- 2 RATING CLASS H (180°C MIN.) REQUIRED
- 1 MATERIAL: UL RECOGNIZED 94V-0 FOR FLAMMABILITY

ANY TOLERANCE. THIS DIM. CAN VARY A LITTLE FROM PART TO PART.
 "TYP" IN DIM. TOL. REFERS TO A NON-CRITICAL TYPICAL (AVERAGE) DIM. WITHOUT
 NOTES: UNLESS OTHERWISE SPECIFIED, READ NOTES FROM BOTTOM UP.
 CAGE CODE: 5DME2

CODE IDENT	MFG. P/N	DESCRIPTION	ITEM NO.
PARTS LIST			
AUTOCAD	X	COILWS COM, INC www.coilws.com	CWS Coil Winding Specialist. 353 W Grove Ave Orange, CA 92865
SOLIDWORKS			
SIGN	DATE	TITLE: Power Inductor 15.5mH, 3 Amps SIZE DWG. NO. B CWS-1MP-11740 REV A	
DRAWN	TN 12/05/2020		
CHECKED	JL 12/05/2020		
ENGR.	JL 12/05/2020		
APPR.	JL 12/05/2020	SCALE 2=1 SHEET 1 OF 1	

UNLESS OTHERWISE SPECIFIED
 DIMENSIONING AND TOLERANCE PER ANSI Y14.5M
 ALL DIMENSIONS ARE IN INCHES AND [MILLIMETERS].
 TOLERANCE INCHES:
 .XXX±.005 .XX±.015 <±0°30'
 TOLERANCE METRICS:
 .XXX±.127 .XX±.38 <±0°30'
 ANGLE PROJECTION
 DO NOT SCALE DRAWING