

The information contained in this drawing is the sole property of CWS Coil Winding Specialist. Any reproduction in part or whole without written permission of CWS Coil Winding Specialist is prohibited.



DIMENSIONAL TOLERANCES INCHES [MM]				
Ø:A MAX	B MAX	C MIN	D REF	X REF
1.05 [26.70]	0.67 [17.00]	0.50 [12.70]	0.10 [2.50]	0.40 [10.10]

REVISION HISTORY						
REV	ECN	DESCRIPTION	SIGN & DATE			
			BY	DATE	CHK	DATE
A	—	INITIAL DRAWING RELEASE	TN	12/05/2020	JL	12/05/2020

8 BUILD TO RoHS COMPLIANCE AND LEAD FREE.

7 MARK PART NUMBER, REVISION AND DATE CODE

6 POT COIL AND CURE

5 REMOVE INSULATION AND TIN LEADS 0.5 INCH
WIND COILS EVENLY SPACED AROUND THE CORE
CONSTRUCTION:

WEIGHT: 56 GRAMS TYPICAL

HI-POT TEST FOR WINDING TO CASE = 1250VDC, 2mA, 10 SEC.

INDUCTOR CURRENT RATING : 23 AMPS

DCR = 3.5 MILLI-OHMS MAX.

INDUCTANCE @ DC BIAS: SEE TABLE ON THE RIGHT

INDUCTANCE = 2.8uH ± 15% @ 0 AMP DC BIAS, 100 KHz, 250mV

3 SPECIFICATIONS: @ 25°C:

EPOXY: QSIL 533 OR EQUIVALENT

WIRE: UL RECOGNIZED 200°C RATED MAGNET WIRE

2 CORE: POWDERED TOROIDAL CORE

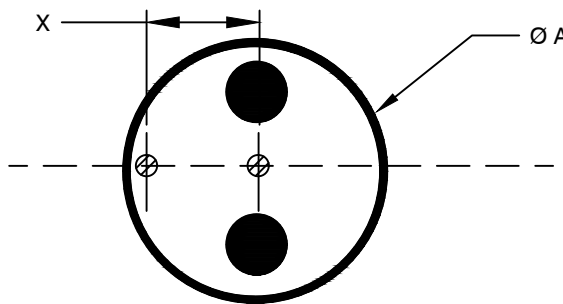
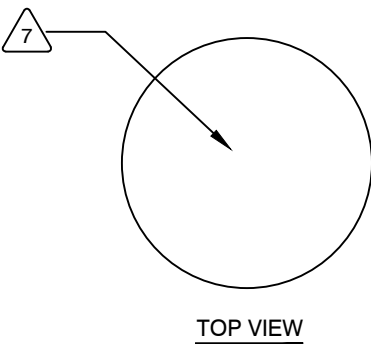
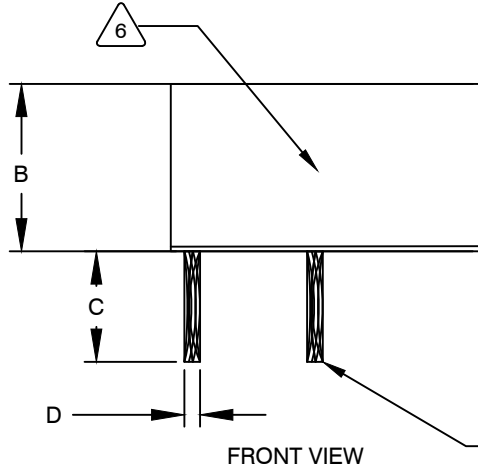
1 MATERIAL: UL RECOGNIZED 94V-0 FOR FLAMMABILITY, RATING CLASS H (180°C MIN.) REQUIRED

ANY TOLERANCE. THIS DIM. CAN VARY A LITTLE FROM PART TO PART.

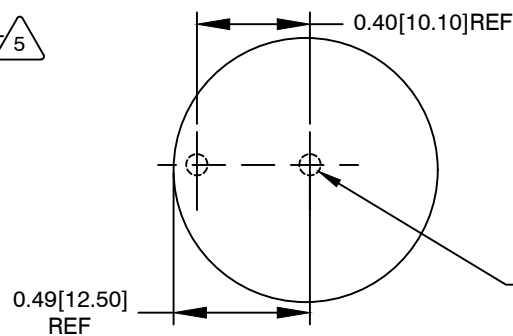
"TYP" IN DIM. TOL. TABLE REFERS TO A NON-CRITICAL TYPICAL (AVERAGE) DIM. WITHOUT

NOTES: UNLESS OTHERWISE STATED, READ NOTES FROM BOTTOM UP.

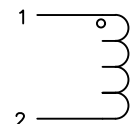
CAGE CODE: 5DME2



BOTTOM VIEW



MOUNTING HOLES PATTERN



SCHEMATIC

DC BIAS TABLE

DC BIAS (AMP)	L@100KHz (REF)
0	2.61uH
5	2.59uH
10	2.56uH
15	2.51uH
20	2.44uH
23	2.37uH

Recommended PCB Pin Holes Ø0.10 [2.57] (X2)

CODE IDENT	MFG. P/N	DESCRIPTION	ITEM NO.
PARTS LIST			
AUTOCAD	X	COILWS COM, INC www.coilws.com	CWS Coil Winding Specialist. 353 WEST GROVE AVE. ORANGE, CA 92865
SOLIDWORKS			
DRAWN	TN 12/05/2020	TITLE: TOROIDAL POWER INDUCTOR 2.8uH, 23 Amps, Encapsulated	
CHECKED	JL 12/05/2020		
ENGR.	JL 12/05/2020		
APPR.	JL 12/05/2020		
SIZE	DWG. NO.	CWS-1MP-11761	REV A
SCALE		2=1	SHEET 1 OF 1

UNLESS OTHERWISE SPECIFIED			
DIMENSIONING AND TOLERANCE PER ANSI Y14.5M			
ALL DIMENSIONS ARE IN INCHES AND [MILLIMETERS].			
TOLERANCE INCHES: .XXX=±.005 .XX=±.015 $\angle = \pm 0^{\circ}30'$			
TOLERANCE METRICS: .XXX=±.127 .XX=±.38 $\angle = \pm 0^{\circ}30'$			
ANGLE PROJECTION			
DO NOT SCALE DRAWING			