

The information contained in this drawing is the sole property of CWS Coil Winding Specialist. Any reproduction in part or whole without written permission of CWS Coil Winding Specialist is prohibited.



DIMENSIONAL TOLERANCES INCHES [MM]				
A MAX	B MAX	C TYP	D REF	E (X4) REF
0.78 [19.80]	0.32 [8.13]	1.00 [25.40]	0.013 [0.32]	0.50 [12.70]

REVISION HISTORY						
REV	ECN	DESCRIPTION	SIGN & DATE			
			BY	DATE	CHK	DATE
A	—	INITIAL DRAWING RELEASE	TN	12/05/2020	JL	12/05/2020

- 7 BUILD TO RoHS COMPLIANCE AND LEAD FREE. MARK PART NUMBER, REVISION AND DATE CODE
- 6 WRAP CHOKE WITH MYLAR TAPE

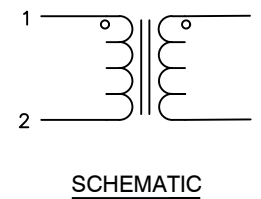
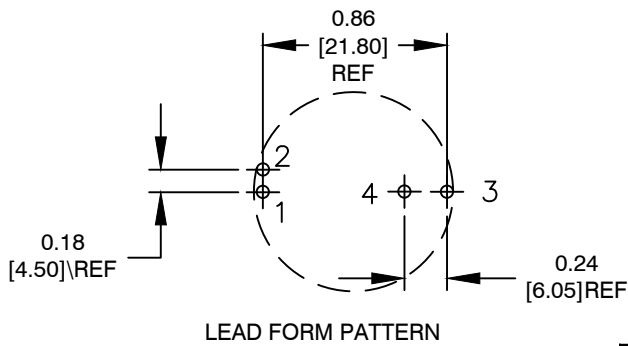
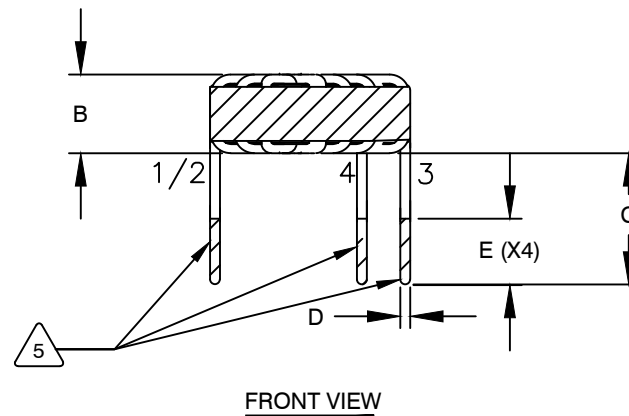
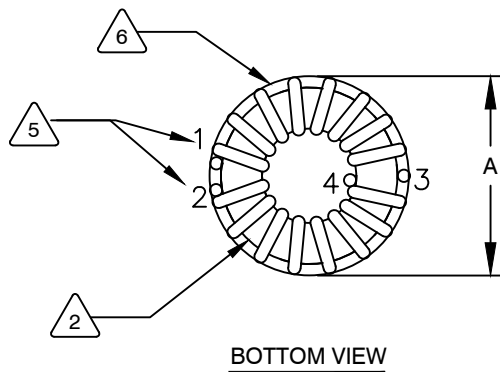
- 5 REMOVE INSULATION AND TIN LEADS. LABEL LEADS AS SHOWN

- 4 WIND COILS EVENLY SPACED AROUND THE CORE CONSTRUCTION:

WEIGHT: 11 GRAMS TYPICAL
 LEAKAGE INDUCTANCE = 0.7uH TYP @ 1KHz
 |Z| = 29 KILO-OHMS TYP @ SRF
 INTERWINDING CAPACITANCE = 22pF TYP @ SRF
 SRF = 914 KHz TYPICAL
 PINS 3 - 4: 28 MILLI-OHMS TYP
 PINS 1 - 2: 409 MILLI-OHMS TYP
 DCR:
 PINS 3 - 4: 3.8uH TYP
 PINS 1 - 2: 1.46mH TYP
 INDUCTANCE @ 0 AMP DC BIAS, 1.0 KHz, 250mV

- 3 SPECIFICATIONS: @ 25°C:

- 2 WIRE: UL RECOGNIZED 200°C RATED MAGNET WIRE
 CORE: POWDERED TOROIDAL CORE
 - 1 MATERIAL: UL RECOGNIZED 94V-0 FOR FLAMMABILITY, RATING CLASS H (180°C MIN.) REQUIRED
- ANY TOLERANCE. THIS DIM. CAN VARY A LITTLE FROM PART TO PART.
 "TYP" IN DIM. TOL. TABLE REFERS TO A NON-CRITICAL TYPICAL (AVERAGE) DIM. WITHOUT
 NOTES: UNLESS OTHERWISE STATED, READ NOTES FROM BOTTOM UP.
 CAGE CODE: 5DME2



CODE IDENT	MFG. P/N	DESCRIPTION	ITEM NO.
PARTS LIST			
AUTOCAD	X	COILWS COM, INC www.coilws.com	CWS Coil Winding Specialist. 353 WEST GROVE AVE. ORANGE, CA 92865
SOLIDWORKS			
DRAWN	TN 12/05/2020	TITLE: COMMON MODE CHOKE Horizontal	
CHECKED	JL 12/05/2020		
ENGR.	JL 12/05/2020		
APPR.	JL 12/05/2020		
SIZE	DWG. NO.	CWS-1MP-11766	REV
B	A		
SCALE	2=1	SHEET 1 OF 1	

UNLESS OTHERWISE SPECIFIED
 DIMENSIONING AND TOLERANCE PER ANSI Y14.5M
 ALL DIMENSIONS ARE IN INCHES AND [MILLIMETERS].
 TOLERANCE INCHES:
 .XXX=±.005 .XX=±.015 $\sphericalangle=±0°30'$
 TOLERANCE METRICS:
 .XXX=±.127 .XX=±.38 $\sphericalangle=±0°30'$
 ANGLE PROJECTION
 DO NOT SCALE DRAWING

CAD-FILE: