

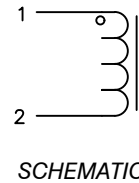
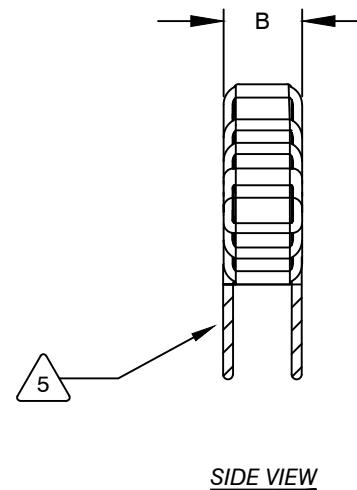
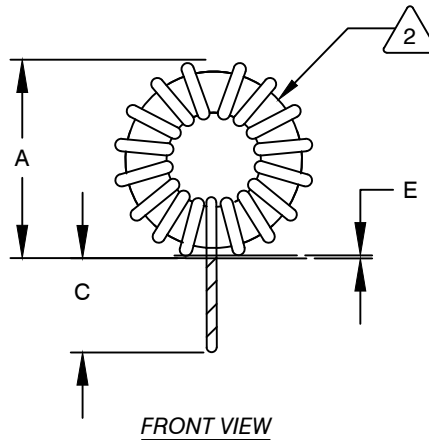
The information contained in this drawing is the sole property of Coil Winding Specialist.
Any reproduction in part or whole without written permission of Coil Winding Specialist is prohibited.

DIMENSIONAL TOLERANCES
INCHES [MM]

A	B	C	D	E	X
MAX	MAX		REF	UNTINNED	REF
0.81	0.41	0.51±0.08	0.02	+0.06;-0.04	0.35
[20.50]	[10.50]	[13.00±2.00]	[0.45]	[+1.00;-1.50]	[9.00]

REVISION HISTORY

REV	ECN	DESCRIPTION	SIGN & DATE			
			BY	DATE	CHK	DATE
A		INITIAL DRAWING RELEASE	TN	12/05/2020	JL	12/05/2020



6 BUILD TO RoHS COMPLIANCE AND LEAD FREE

5 STRIP AND TIN LEADS PER SPECIFIED DIM

WIND COILS EVENLY SPACED AROUND THE CORE

4 CONSTRUCTION:

WEIGHT = 7 GRAMS TYP

INTERWINDING CAPACITANCE = 44.5pF TYP @ SRF

|Z| = 45.2 KILO-OHMS TYP @ SRF

SRF = 455 KHz TYPICAL

DCR = 316 MILI-OHMS TYPICAL

INDUCTANCE = 2.83mH ±15% @1KHz, 250 mV, 0ADC BIAS

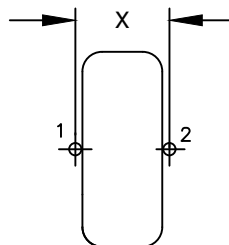
3 SPECIFICATIONS @ 25°C:

2 WIRE: UL RECOGNIZED 155°C RATED OR HIGHER MAGNET

CORE: POWDER TOROIDAL CORE

RATING CLASS B (130°C MIN.) REQUIRED

1 MATERIAL: UL RECOGNIZED 94V-0 FOR FLAMMABILITY



ANY TOLERANCE. THIS DIM. CAN VARY A LITTLE FROM PART TO PART.

"TYP" IN DIM. TOL. TABLE REFERS TO A NON-CRITICAL TYPICAL (AVERAGE) DIM. WITHOUT

NOTES: UNLESS OTHERWISE STATED, READ NOTES FROM BOTTOM UP.

CAGE CODE: 5DME2

UNLESS OTHERWISE SPECIFIED
DIMENSIONING AND TOLERANCE PER ANSI Y14.5M
ALL DIMENSIONS ARE IN INCHES AND [MILLIMETERS].
TOLERANCE INCHES:
.XXX=±.005 .XX=±.015 $\angle = \pm 0^{\circ}30'$
TOLERANCE METRICS:
.XXX=±.127 .XX=±.38 $\angle = \pm 0^{\circ}30'$
ANGLE PROJECTION
DO NOT SCALE DRAWING

CODE IDENT	MFG. P/N	DESCRIPTION	ITEM NO.
PARTS LIST			
AUTOCAD	X	COILWS COM, INC www.coilws.com	CWS Coil Winding Specialist. 353 W Grove Ave Orange, CA 92865
SOLIDWORKS			
DRAWN	TN 12/05/2020	TITLE: Toroidal Power Inductor 2.83mH, Vertical	
CHECKED	JL 12/05/2020		
ENGR.	JL 12/05/2020		
APPR.	JL 12/05/2020		
SIZE	DWG. NO.	CWS-1MP-11767	REV A
SCALE		N/A	SHEET 1 OF 1