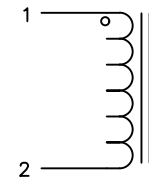
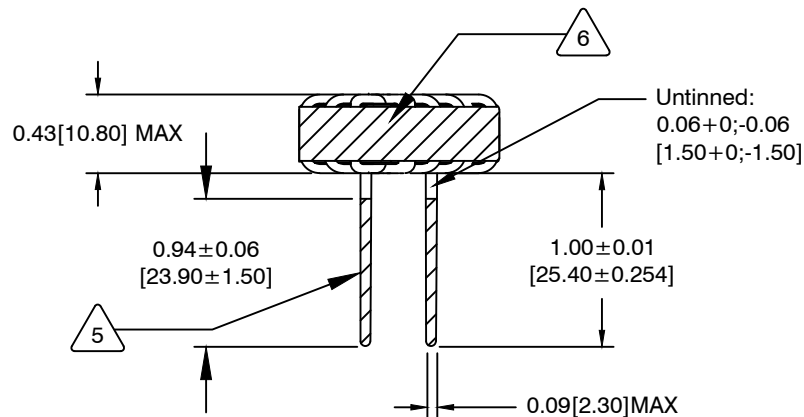


The information contained in this drawing is the sole property of CWS Coil Winding Specialist. Any reproduction in part or whole without written permission of CWS Coil Winding Specialist is prohibited.



REVISION HISTORY				
REV	ECN	DESCRIPTION	SIGN & DATE	
			BY	CHK DATE
C		INITIAL DRAWING RELEASE	TN	12/05/2020
			JL	12/05/2020



SCHEMATIC

DC BIAS TABLE	
DC BIAS (AMP)	L@10KHz (REF)
0	3.33uH
2	3.31uH
4	3.29uH
6	3.26uH
7	3.23uH

7 BUILD TO RoHS COMPLIANCE

6 MARK CUSTOMER PART, REVISION AND DATE CODE
WRAP INDUCTOR WITH GLASS TAPE

5 REMOVE INSULATION AND TIN LEADS
IN COUNTER CLOCKWISE DIRECTION
WIND COILS EVENLY SPACED AROUND THE CORE
CONSTRUCTION:

WEIGHT: 12 GRAMS TYPICAL

HI-POT TEST FOR WINDING TO CORE ISOLATION = 1000VDC, 2mA, 2s.

CURRENT RATING : 7 AMPS

DCR = 3.60 MILLI-OHMS MAX.

INDUCTANCE @ DC BIAS: SEE TABLE ON THE RIGHT.

INDUCTANCE = 3.3 uH ± 12% @ 0ADC BIAS, 10 KHz, 100mV

3 SPECIFICATIONS @ 25°C:

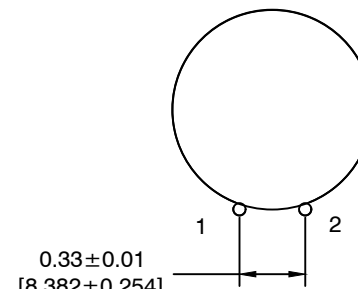
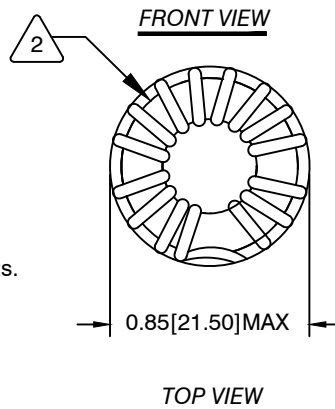
WIRE: UL RECOGNIZED 180 °C RATED MAGNET WIRE OR HIGHER
CWS BYTEMARK OR OTHER APPROVED PART
CORE: POWDERED TOROIDAL CORE

2 RATING CLASS H (180°C MIN.) REQUIRED
1 MATERIAL: UL RECOGNIZED 94V-0 FOR FLAMMABILITY

WITHOUT ANY TOLERANCE. THIS DIM. CAN VARY A LITTLE FROM PART TO PART.
"TYP" IN DIM. TOL. REFERS TO A NON-CRITICAL TYPICAL (AVERAGE) DIM.

NOTES: UNLESS OTHERWISE STATED, READ NOTES FROM BOTTOM UP.

CAGE CODE: 5DME2



MOUNTING HOLES PATTERN

UNLESS OTHERWISE SPECIFIED	
DIMENSIONING AND TOLERANCE PER ANSI Y14.5M	
ALL DIMENSIONS ARE IN INCHES AND [MILLIMETERS].	
TOLERANCE INCHES: .XXX=±.005 .XX=±.015 $\angle=±0°30'$	
TOLERANCE METRICS: .XXX=±.127 .XX=±.38 $\angle=±0°30'$	
ANGLE PROJECTION	
DO NOT SCALE DRAWING	

CODE IDENT	MFG. P/N	DESCRIPTION	ITEM NO.
PARTS LIST			
AUTOCAD	X	COILWS COM, INC www.coilws.com	CWS Coil Winding Specialist. 353 W Grove Ave Orange, CA 92865
SOLIDWORKS			
DRAWN	TN 12/05/2020	TITLE: Power Inductor 3.3uH, 7 Amps, Horizontal	
CHECKED	JL 12/05/2020		
ENGR.	JL 12/05/2020		
APPR.	JL 12/05/2020		
SIZE	DWG. NO.	CWS-1MP-11883	REV D
SCALE		2=1	SHEET 1 OF 1

CAD-FILE: