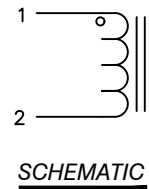
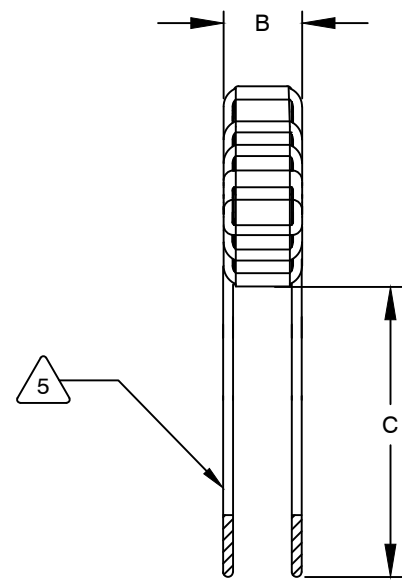
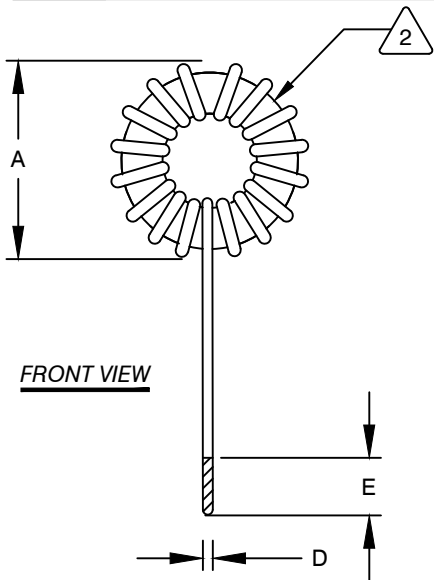
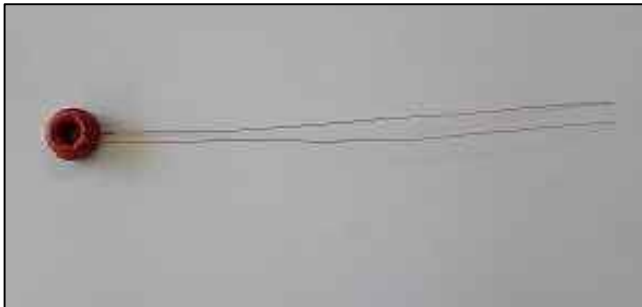


The information contained in this drawing is the sole property of Coil Winding Specialist. Any reproduction in part or whole without written permission of Coil Winding Specialist is prohibited.

DIMENSIONAL TOLERANCES INCHES [MM]				
A	B	C	D	E
MAX	MAX	TYP	REF	TYP
0.65 [16.51]	0.28 [7.11]	6.00 [152.40]	0.008 [0.20]	1.00 [25.40]

REVISION HISTORY				
REV	ECN	DESCRIPTION	SIGN & DATE	
			BY	DATE
A		INITIAL DRAWING RELEASE	TN	12/05/2020



6 BUILD TO RoHS COMPLIANCE AND LEAD FREE

- 5 STRIP AND TIN LEADS PER SPECIFIED DIM
- WIND COILS EVENLY SPACED AROUND THE CORE
- 4 CONSTRUCTION:
- WEIGHT = 3 GRAMS TYP
- INTERWINDING CAPACITANCE = 33.7pF TYP @ SRF
- |Z| = 182 KILO-OHMS TYP @ SRF
- SRF = 317KHz TYPICAL
- DCR = 3.90 MILI-OHMS MAX.
- INDUCTANCE = 7.0mH ±20% @1KHz, 300 mV, 0ADC BIAS
- 3 SPECIFICATIONS:

2 WIRE: UL RECOGNIZED 155°C RATED OR HIGHER MAGNET CORE: POWDER TOROIDAL CORE

RATING CLASS B (130°C MIN.) REQUIRED

1 MATERIAL: UL RECOGNIZED 94V-0 FOR FLAMMABILITY

ANY TOLERANCE. THIS DIM. CAN VARY A LITTLE FROM PART TO PART.
"TYP" IN DIM. TOL. TABLE REFERS TO A NON-CRITICAL TYPICAL (AVERAGE) DIM. WITHOUT

NOTES: UNLESS OTHERWISE STATED, READ NOTES FROM BOTTOM UP.
CAGE CODE: 5DME2

UNLESS OTHERWISE SPECIFIED	
DIMENSIONING AND TOLERANCE PER ANSI Y14.5M	
ALL DIMENSIONS ARE IN INCHES AND [MILLIMETERS].	
TOLERANCE INCHES: .XXX=±.005 .XX=±.015 $\sphericalangle=±0°30'$	
TOLERANCE METRICS: .XXX=±.127 .XX=±.38 $\sphericalangle=±0°30'$	
ANGLE PROJECTION	
DO NOT SCALE DRAWING	

CODE IDENT	MFG. P/N	DESCRIPTION	ITEM NO.
PARTS LIST			
AUTOCAD	X		
SOLIDWORKS		COILWS COM, INC www.coilws.com	CWS Coil Winding Specialist. 353 W Grove Ave Orange, CA 92865
DRAWN	TN 12/05/2020	TITLE: Toroidal Inductor 7.0mH, Vertical	
CHECKED	JL 12/05/2020		
ENGR.	JL 12/05/2020		
APPR.	JL 12/05/2020		
SIZE	DWG. NO.	REV	
B	CWS-1MP-12495	B1	
SCALE	N/A	SHEET 1 OF 1	