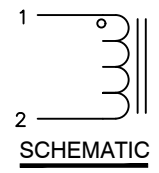
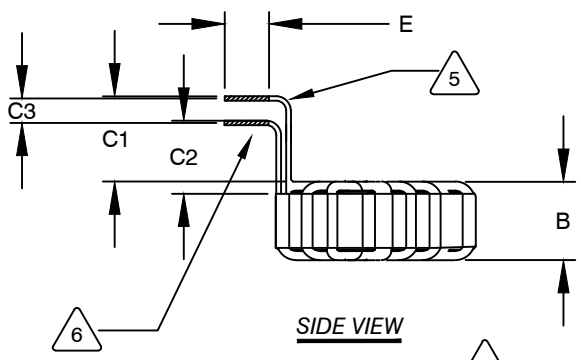


The information contained in this drawing is the sole property of CWS Coil Winding Specialist. Any reproduction in part or whole without written permission of CWS Coil Winding Specialist is prohibited.



DIMENSIONAL TOLERANCES INCHES [MM]					
A TYP	B MAX	C1 & C2 TYP	C3 TYP	D TYP	E TYP
1.06 [27.00]	0.45 [11.43]	0.86 [21.84]	0.34 [8.65]	0.08x0.04 [2.06x0.91]	0.32 [8.13]

REVISION HISTORY						
REV	ECN	DESCRIPTION	SIGN & DATE			
			BY	DATE	CHK	DATE
A	-	INITIAL DRAWING RELEASE	TN	03/06/21	JL	03/06/21



DC BIAS TABLE	
DC BIAS (AMP)	L@ 1KHz (REF)
0	16uH
2	15uH
4	15uH
6	14uH
8	13uH
10	12uH

7 BUILD TO RoHS COMPLIANCE AND LEAD FREE.

6 REMOVE INSULATION AND TIN LEADS PER SPECIFIED E DIM.

5 KEEP THE SPACE BETWEEN 2 LEADS AS SPECIFIED IN C3 DIM. FORM LEADS AS SHOWN IN SIDE VIEW AND

4 WIND COILS EVENLY SPACED AROUND THE CORE CONSTRUCTION:

WEIGHT: 18 GRAMS TYPICAL
 RECOMMENDED AMBIENT OPERATING TEMP: -40°C TO 155°C
 SRF: GREATER THAN 10MHz TYPICAL
 HI-POT TEST FOR WINDING TO CORE ISOLATION = 500VDC MIN.
 INDUCTOR CURRENT RATING : 10 AMPS, 40°C TEMP. RISE WITH SOME AIR FLOW
 DCR = 10 - 12 MILLI-OHMS
 INDUCTANCE @ DC BIAS: SEE TABLE ON THE RIGHT
 INDUCTANCE = 14uH - 17uH @ 1.0 KHz, 250mV, 0ADC BIAS

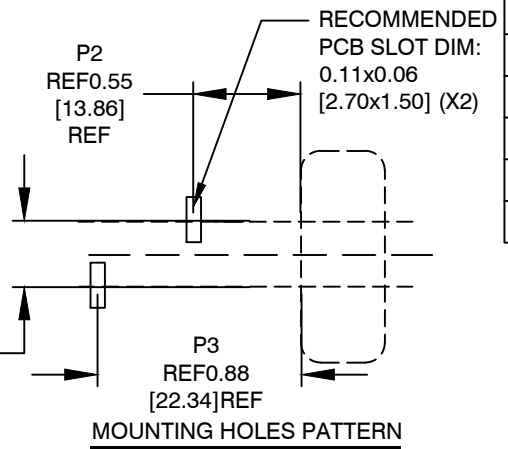
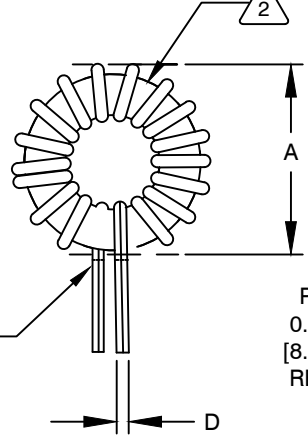
3 SPECIFICATIONS: @ 25°C:

2 WIRE: UL RECOGNIZED 200°C RATED MAGNET WIRE
 CORE: POWDERED TOROIDAL CORE

1 MATERIAL: UL RECOGNIZED 94V-0 FOR FLAMMABILITY, RATING CLASS H (180°C MIN.) REQUIRED

ANY TOLERANCE. THIS DIM. CAN VARY A LITTLE FROM PART TO PART.
 "TYP" IN DIM. TOL. TABLE REFERS TO A NON-CRITICAL TYPICAL (AVERAGE) DIM. WITHOUT

NOTES: UNLESS OTHERWISE STATED, READ NOTES FROM BOTTOM UP.
 CAGE CODE: 5DME2



TOP VIEW

UNLESS OTHERWISE SPECIFIED	
DIMENSIONING AND TOLERANCE PER ANSI Y14.5M	
ALL DIMENSIONS ARE IN INCHES AND [MILLIMETERS].	
TOLERANCE INCHES:	∠ = ±0°30'
.XXX = ±.005 .XX = ±.015	
TOLERANCE METRICS:	∠ = ±0°30'
.XXX = ±.127 .XX = ±.38	
ANGLE PROJECTION	
DO NOT SCALE DRAWING	

CODE IDENT	MFG. P/N	DESCRIPTION	ITEM NO.
PARTS LIST			
AUTOCAD	X	COILWS COM, INC www.coilws.com	CWS Coil Winding Specialist. 353 W. Grove Ave. Orange, CA 92865
SOLIDWORKS			
DRAWN	TN 03/06/21	TITLE: TOROIDAL POWER INDUCTOR 14uH - 17uH, Vertical	
CHECKED	JM 03/06/21		
ENGR.	JL 03/06/21		
APPR.	JL 03/06/21		
SIZE	DWG. NO.	REV	
B	CWS-1SN-11294	A	
SCALE		SHEET 1 OF 1	
2=1			