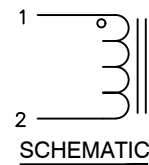
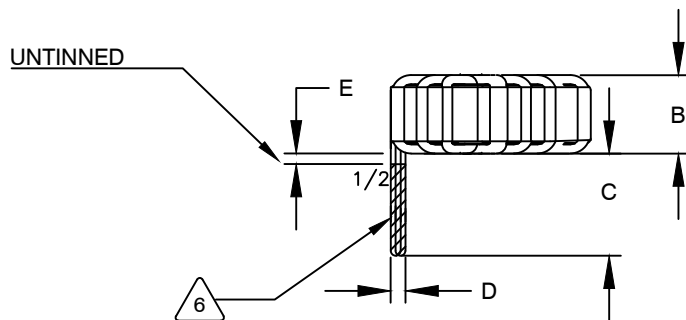


The information contained in this drawing is the sole property of CWS Coil Winding Specialist. Any reproduction in part or whole without written permission of CWS Coil Winding Specialist is prohibited.



DIMENSIONAL TOLERANCES INCHES [MM]					
A MAX	B MAX	C TYP	E UNTINNED	D TYP	P1 REF
2.09 [53.00]	1.00 [25.40]	0.50 [12.70]	0.08±0.04 [2.00±1.00]	0.06x0.13 [1.52x3.30]	0.46 [11.68]

REVISION HISTORY						
REV	ECN	DESCRIPTION	SIGN & DATE			
			BY	DATE	CHK	DATE
A	-	INITIAL DRAWING RELEASE	TN	02/28/21	JL	02/28/21



DC BIAS TABLE

DC BIAS (AMP)	L@ 1KHz (REF)
0	46uH
5	45uH
10	44uH
15	43uH
20	41uH
25	38uH

7 BUILD TO RoHS COMPLIANCE AND LEAD FREE.

6 REMOVE INSULATION AND TIN LEADS PER SPECIFIED DIM.

5 FORM LEADS AND KEEP SPACING PER INDICATED P1 DIM.

4 WIND COILS EVENLY SPACED AROUND THE CORE CONSTRUCTION:

WEIGHT: 167 GRAMS TYPICAL
 RECOMMENDED AMBIENT OPERATING TEMP: -40°C TO 155°C
 SRF: GREATER THAN 10MHz TYPICAL
 HI-POT TEST FOR WINDING TO CORE ISOLATION = 500VDC MIN.
 INDUCTOR CURRENT RATING : 25 AMPS, 40°C TEMP. RISE WITH SOME AIR FLOW
 DCR = 12 MILLI-OHMS MAX.
 INDUCTANCE @ DC BIAS: SEE TABLE ON THE RIGHT
 INDUCTANCE = 46 uH NOM. @ 0 AMP DC BIAS, 1.0 KHz, 250mV

3 SPECIFICATIONS: @ 25°C:

2 WIRE: UL RECOGNIZED 200°C RATED MAGNET WIRE
 CORE: POWDERED TOROIDAL CORE

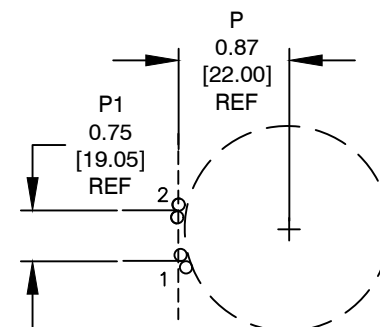
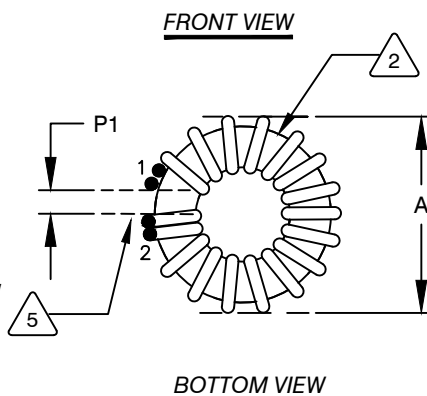
1 MATERIAL: UL RECOGNIZED 94V-0 FOR FLAMMABILITY, RATING CLASS H (180°C MIN.) REQUIRED

ANY TOLERANCE. THIS DIM. CAN VARY A LITTLE FROM PART TO PART.

"TYP" IN DIM. TOL. TABLE REFERS TO A NON-CRITICAL TYPICAL (AVERAGE) DIM. WITHOUT

NOTES: UNLESS OTHERWISE STATED, READ NOTES FROM BOTTOM UP.

CAGE CODE: 5DME2



CODE IDENT	MFG. P/N	DESCRIPTION	ITEM NO.
PARTS LIST			
AUTOCAD	X	COILWS COM, INC www.coilws.com	CWS Coil Winding Specialist. 353 W. Grove Ave. Orange, CA 92865
SOLIDWORKS			
DRAWN	TN	DATE	02/28/21
CHECKED	JM	DATE	02/28/21
ENGR.	JL	DATE	02/28/21
APPR.	JL	DATE	02/28/21
TITLE:		TOROIDAL POWER INDUCTOR 46uH, Vertical	
SIZE	DWG. NO.	REV	
B	CWS-1SN-11382	A	
SCALE		SHEET 1 OF 1	
2=1			

UNLESS OTHERWISE SPECIFIED
 DIMENSIONING AND TOLERANCE PER ANSI Y14.5M
 ALL DIMENSIONS ARE IN INCHES AND [MILLIMETERS].
 TOLERANCE INCHES:
 .XXX=±.005 .XX=±.015 $\angle = \pm 0^{\circ}30'$
 TOLERANCE METRICS:
 .XXX=±.127 .XX=±.38 $\angle = \pm 0^{\circ}30'$
 ANGLE PROJECTION
 DO NOT SCALE DRAWING