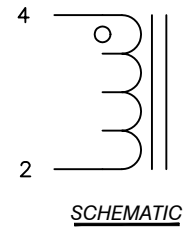
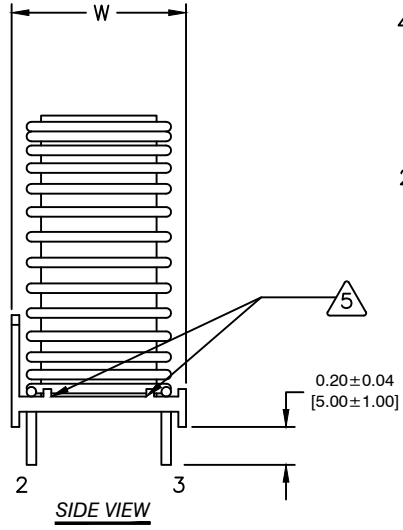
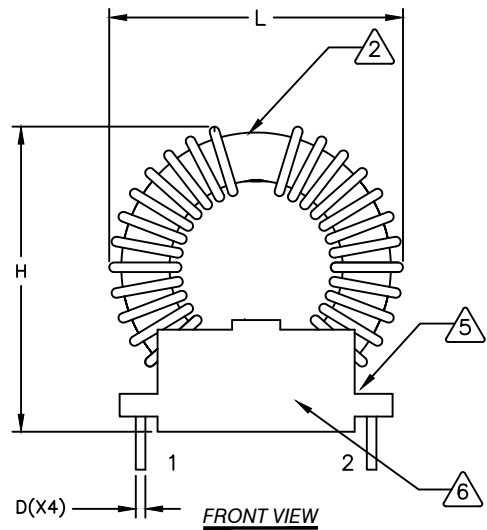


The information contained in this drawing is the sole property of CWS Coil Winding Specialist. Any reproduction in part or whole without written permission of CWS Coil Winding Specialist is prohibited.



MECHANICAL DIMENSION					
H MAX	L MAX	W MAX	D(X4) TYP	X REF	Y REF
1.25 [31.75]	1.16 [29.50]	0.83 [21.00]	0.05 [1.29]	0.90±0.02 [22.90±0.50]	0.60±0.02 [15.20±0.50]

REVISION HISTORY						
REV	ECN	DESCRIPTION	SIGN & DATE			
			BY	DATE	CHK	DATE
A		PRODUCTION RELEASE	TN	03/06/21	JL	03/06/21



- 7 BUILT TO RoHS COMPLIANCE AND LEAD FREE
- 6 MARK CUSTOMER PART NUMBER, REVISION AND DATE CODE

- 5 ADD EPOXY WHERE SHOWN
- SOLDER LEADS ONTO THE BASE PIN PER DRAWING
- REMOVE INSULATION TIN
- WIND COILS EVENLY SPACED
- 4 CONSTRUCTION:

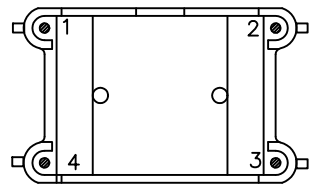
WEIGHT: 34 GRAMS TYPICAL
 OPERATING TEMP. RANGE: -40°C TO 125°C
 HI-POT WINDING-TO-WINDING 500VDC MIN.
 INTERWINDING CAPACITANCE = 37pF TYP @ SRF
 |Z| = 110 KILO-OHMS TYP@ SRF
 SRF = 543KHz TYPICAL
 L @ DC BIAS: SEE TABLE ON THE RIGHT
 DCR = 630 MILLI-OHMS MAX.
 INDUCTANCE = 2.2mH NOM.@ 1KHz, 250mV, 0ADC BIAS.
 3 SPECIFICATIONS @ 25°C:

- 2 WIRE: UL RECOGNIZED 200°C RATED MAGNET WIRE
- CORE: POWDERED TOROIDAL CORE

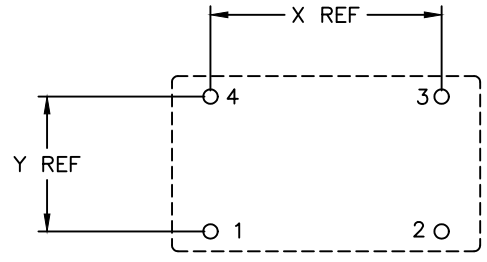
- 1 RATING UL-CLASS B (130°) REQUIRED
- MATERIAL: UL RECOGNIZED 94V-0 FLAMMABILITY FOR BOBBIN

ANY TOLERANCE. THIS DIM. CAN VARY A LITTLE FROM PART TO PART.
 "TYP" IN DIM. TOL. TABLE REFERS TO A NON-CRITICAL TYPICAL (AVERAGE) DIM. WITHOUT

NOTES: UNLESS OTHERWISE SPECIFIED, READ NOTES FROM BOTTOM UP.
 CAGE CODE: 5DME2



BOTTOM VIEW



MOUNTING HOLES PATTERN

DC BIAS TABLE

DC BIAS (AMP)	L@ 1KHz (REF)
0	2.25mH
1	1.56mH
2	0.95mH
3	0.65mH
4	0.45mH
5	0.32mH

CODE IDENT	MFG. P/N	DESCRIPTION	ITEM NO.
PARTS LIST			
AUTOCAD	X		
SOLIDWORKS			
SIGN	DATE	COILWS COM, INC www.coilws.com	CWS Coil Winding Specialist. 353 W Grove Ave Orange, CA 92865
DRAWN TN	03/06/21	TITLE: Common Mode Line Filter 2.2mH, Horizontal	
DESIGN JM	03/06/21		
ENGR. JL	03/06/21		
APPR. JL	03/06/21		
SCALE		SIZE DWG. NO.	REV
B		CWS-1SN-11579	A
DO NOT SCALE DRAWING		SHEET 1 OF 1	

UNLESS OTHERWISE SPECIFIED
 DIMENSIONING AND TOLERANCE PER ANSI Y14.5M
 ALL DIMENSIONS ARE IN INCHES AND [MILLIMETERS].
 TOLERANCE INCHES:
 .XXX±.005 .XX±.015 $\angle=±0°30'$
 TOLERANCE METRICS:
 .XXX±.127 .XX±.36 $\angle=±0°30'$
 ANGLE PROJECTION