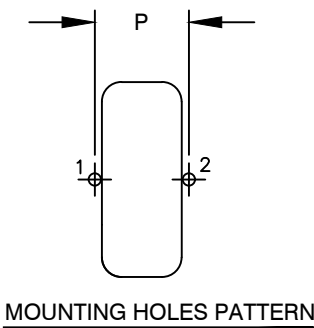
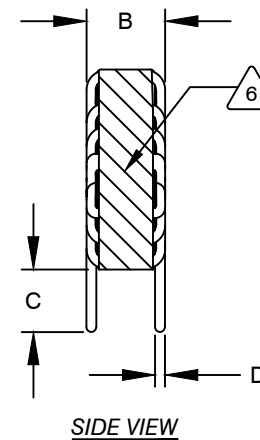
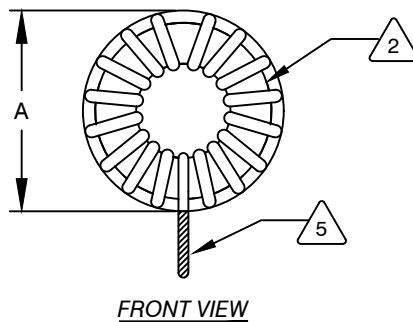
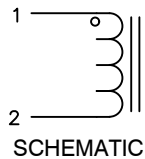


The information contained in this drawing is the sole property of CWS Coil Winding Specialist. Any reproduction in part or whole without written permission of CWS Coil Winding Specialist is prohibited.

DIMENSIONAL TOLERANCES INCHES [MM]				
A MAX	B MAX	C REF	D TYP	P REF
1.02 [26.00]	0.47 [12.00]	0.50 [12.70]	0.04 [1.00]	0.40 [10.00]

REVISION HISTORY						
REV	ECN	DESCRIPTION	SIGN & DATE			
			BY	DATE	CHK	DATE
B	-	INITIAL RELEASE	TN	02/28/21	JL	02/28/21



DC BIAS TABLE

DC BIAS (AMP)	L@ 1KHz (REF)
0	38uH
2	37uH
4	34uH
6	31uH
8	27uH
10	24uH
12	20uH
14	18uH
16	14uH
18	12uH
20	10uH

7 BUILD TO RoHS COMPLIANCE AND LEAD FREE.

6 MARK PART NUMBER, REVISION AND DATE CODE
WRAP INDUCTOR WITH MYLAR TAPE

5 (I.E. COIL MUST REST FLAT ON PCB). LEADS MUST BE TANGENT TO THE CORE
REMOVE INSULATION AND TIN LEADS 0.5 INCH, FLUSH WITH THE COIL EDGE

4 WIND COILS EVENLY SPACED AROUND THE CORE
CONSTRUCTION:

WEIGHT: 14 GRAMS TYPICAL

RECOMMENDED AMBIENT OPERATING TEMP: -40°C TO 155°C

INTERWINDING CAPACITANCE = 11pF TYP @ SRF

|Z| = 7.1KILO-OHMS TYP @ SRF

SRF = 7 MHz TYPICAL

HI-POT TEST FOR WINDING TO CORE ISOLATION = 500VDC MIN.

INDUCTOR CURRENT RATING : 20 AMPS, 40°C TEMP. RISE WITH SOME AIR FLOW

DCR = 30.0 MILLI-OHMS MAX.

INDUCTANCE @ DC BIAS: SEE TABLE ON THE RIGHT

INDUCTANCE = 35uH MIN. @ 0 AMP DC BIAS, 1.0 KHz, 250mV

3 SPECIFICATIONS: @ 25°C:

2 WIRE: UL RECOGNIZED 200°C RATED MAGNET WIRE
CORE: POWDERED TOROIDAL CORE

1 MATERIAL: UL RECOGNIZED 94V-0 FOR FLAMMABILITY, RATING CLASS H (180°C MIN.) REQUIRED

ANY TOLERANCE. THIS DIM. CAN VARY A LITTLE FROM PART TO PART.

"TYP" IN DIM. TOL. TABLE REFERS TO A NON-CRITICAL TYPICAL (AVERAGE) DIM. WITHOUT

NOTES: UNLESS OTHERWISE STATED, READ NOTES FROM BOTTOM UP.

CAGE CODE: 5DME2

UNLESS OTHERWISE SPECIFIED	
DIMENSIONING AND TOLERANCE PER ANSI Y14.5M	
ALL DIMENSIONS ARE IN INCHES AND [MILLIMETERS].	
TOLERANCE INCHES: .XXX=±.005 .XX=±.015 $\sphericalangle=±0°30'$	
TOLERANCE METRICS: .XXX=±.127 .XX=±.38 $\sphericalangle=±0°30'$	
ANGLE PROJECTION	
DO NOT SCALE DRAWING	

CODE IDENT	MFG. P/N	DESCRIPTION	ITEM NO.
PARTS LIST			
AUTOCAD	X		
SOLIDWORKS			
SIGN	DATE	COILWS COM, INC www.coilws.com	CWS Coil Winding Specialist. 353 W. Grove Ave. Orange, CA 92865
DRAWN	TN 02/28/21	TITLE: TOROIDAL POWER INDUCTOR 35uH MIN., 20 Amps, Vertical	
CHECKED	JM 02/28/21		
ENGR.	JL 02/28/21		
APPR.	JL 02/28/21		
SIZE	DWG. NO.	REV	
B	CWS-1SN-11905	B	
SCALE	2=1	SHEET	1 OF 1

CAD-FILE: