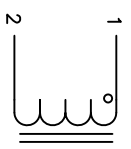
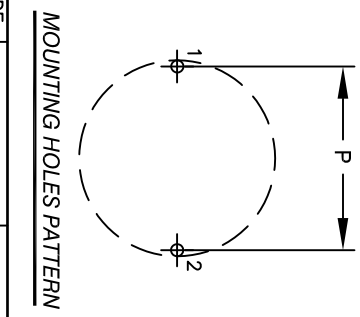
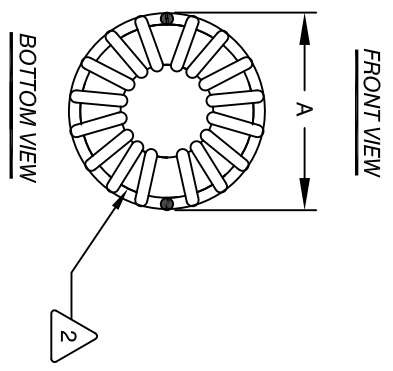
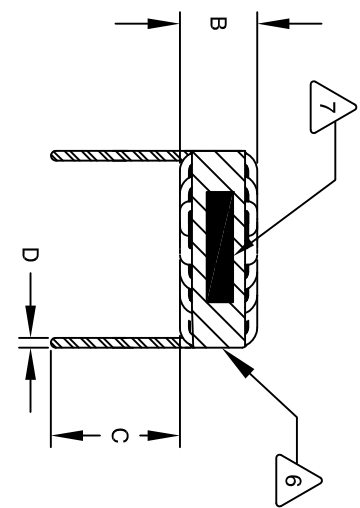


The information contained in this drawing is the sole property of CWS Coil Winding Specialist. Any reproduction in part or whole without written permission of CWS Coil Winding Specialist is prohibited.



SCHEMATIC

| DIMENSIONAL TOLERANCES INCHES (MM) | | | | | |
|------------------------------------|-----------------|-----------------|----------------|-----------------|-----|
| A | B | C | D | P | REF |
| MAX | MAX | MIN | TYP | | |
| 2.36 [60.00] | 1.15 [29.20] | 0.75 [19.05] | 0.08 [2.05] | 1.95 [49.61] | |



DC BIAS TABLE

| DC BIAS (AMP) | L@1KHz (REF) |
|---------------|--------------|
| 0 | 740uH |
| 5 | 352uH |
| 10 | 161uH |
| 15 | 91uH |
| 20 | 62uH |

- 8 BUILT TO ROHS COMPLIANCE AND LEAD FREE
- 7 LABEL PART NUMBER, REVISION AND DATE CODE
- 6 WRAP INDUCTOR WITH GLASS TAPE
- POSITION LEADS AS REQUIRED
REMOVE WIRE INSULATION AND TIN
WIND COILS EVENLY SPACED
CONSTRUCTION:
- 5 WEIGHT: 175 GRAMS TYP
- OPERATING TEMPERATURE RANGE : -40°C TO 180°C
INTERWINDING CAPACITANCE = 86pF TYPICAL @ SRF
|Z| = 55 KILO-OHMS TYP @ SRF
DCR = 23.0 MILLI-OHMS MAX
SRF = 640 KHZ TYPICAL
DC LOSS = 0.3 WATT
AC LOSS = 1.5 WATTS
CORE LOSS:
- WIRE LOSS: 5W @ I_{rms}: 8.8W @ I_{peak}.
L @ DC BIAS: SEE TABLE ON THE RIGHT
MAX TEMP. RISE @ IDC 20 AMP. LESS THAN 40°C WITH SOME AIRFLOW
INDUCTOR RATED MAX. CURRENT = 20 AMPS RMS
L = 750uH±10% @ 1KHz, 250mV, 0ADC
SPECIFICATIONS @ 25°C:
- 3 WIRE: UL RATED CLASS 200°C
CORE: HIGH TEMP POWDERED CORE
- 2 RATING UL-CLASS H (180°C) REQUIRED
MATERIAL: UL RECOGNIZED FLAMMABILITY
- 1 ANY TOLERANCE. THIS DIM. CAN VARY A LITTLE FROM PART TO PART.
"TYP" IN DIM. TOL. TABLE REFERS TO A NON-CRITICAL TYPICAL (AREAGE) DIM. WITHOUT

NOTES: UNLESS OTHERWISE SPECIFIED, READ NOTES FROM BOTTOM TO UP.
CAGE CODE: 5DME2

| REVISION HISTORY | | SIGN & DATE | | | | |
|------------------|-----|--------------------|----|----------|-----|----------|
| REV | ECN | DESCRIPTION | BY | DATE | CHK | DATE |
| A | | PRODUCTION RELEASE | TN | 03/05/21 | JL | 03/05/21 |

| CODE IDENT | MFG. P/N | DESCRIPTION | ITEM NO. |
|----------------------|----------|---|--------------------------------|
| PARTS LIST | | | |
| AUTOCAD SOLIDWORKS | X | COILS COM, INC CWS Coil Winding Specialist. 353 WEST GROVE ORANGE, CA 92865 | |
| DRWN | TN | DATE: 03/05/21 | TITLE: Toroidal Power Inductor |
| CHKD | JM | DATE: 03/05/21 | 750 uH, 20Amp, Horizontal |
| ENGR | JL | DATE: 03/05/21 | SIZE (ING. NO.) |
| APPR | JL | DATE: 03/05/21 | CWS-1 SN-13007 |
| DO NOT SCALE DRAWING | | SCALE | REV A |
| | | 2=1 | SHEET 1 OF 1 |