

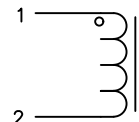
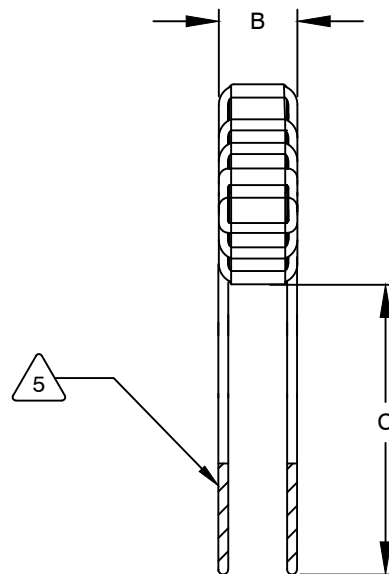
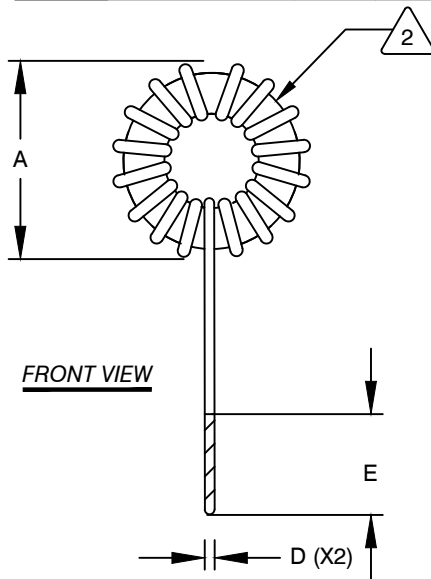
The information contained in this drawing is the sole property of Coil Winding Specialist. Any reproduction in part or whole without written permission of Coil Winding Specialist is prohibited.

DIMENSIONAL TOLERANCES INCHES [MM]

A MAX	B MAX	C	D REF	E	X REF
0.28 [7.00]	0.14 [3.60]	0.75±0.06 [19.05±1.50]	0.01 [0.28]	0.25±0.04 [6.35±1.00]	0.09 [2.40]

REVISION HISTORY

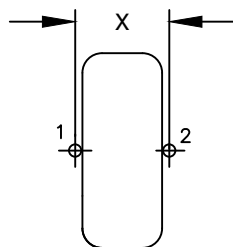
REV	ECN	DESCRIPTION	SIGN & DATE			
			BY	DATE	CHK	DATE
B		INITIAL PRODUCTION RELEASE	KCL	2/28/12	AK	2/28/12
B1		UPDATED SPEC. AND INITIAL DRAWING RELEASE	TN	10/18/2020	JL	10/18/2020



SCHEMATIC

DC BIAS TABLE

DC BIAS (AMP)	L _Q 1KHz (REF)
0	0.3uH
0.2	0.3uH
0.4	0.2uH
0.5	0.2uH



MOUNTING HOLES PATTERN

6 BUILD TO RoHS COMPLIANCE AND LEAD FREE

5 STRIP AND TIN LEADS PER SPECIFIED DIM
WIND COILS EVENLY SPACED AROUND THE CORE
4 CONSTRUCTION:

WEIGHT = 0.45 GRAMS TYP
HI-POT TEST FOR WINDING TO CORE ISOLATION = 1250VDC, 3mA, 5s.
INDUCTANCE AT DC BIAS: SEE TABLE ON THE RIGHT.
DCR = 68 MILI-OHMS MAX.
INDUCTANCE = 361nH ±15% @1KHz, 250 mV, 0ADC BIAS
3 SPECIFICATIONS:

2 WIRE: UL RECOGNIZED 155°C RATED OR HIGHER MAGNET
CORE: POWDER TOROIDAL CORE

RATING CLASS B (130°C MIN.) REQUIRED

1 MATERIAL: UL RECOGNIZED 94V-0 FOR FLAMMABILITY

ANY TOLERANCE. THIS DIM. CAN VARY A LITTLE FROM PART TO PART.
"TYP" IN DIM. TOL. TABLE REFERS TO A NON-CRITICAL TYPICAL (AVERAGE) DIM. WITHOUT

NOTES: UNLESS OTHERWISE STATED, READ NOTES FROM BOTTOM UP.

CAGE CODE: 5DME2

CODE IDENT	MFG. P/N	DESCRIPTION	ITEM NO.
PARTS LIST			
AUTOCAD	X	COILWS COM, INC www.coilws.com	CWS Coil Winding Specialist. 353 W Grove Ave Orange, CA 92865
SOLIDWORKS			
DRAWN	KCL 2/28/12	TITLE: Toroidal Power Inductor 361nH, 0.5Amps, Vertical	
CHECKED	AK 2/28/12		
ENGR.	JLAU 2/28/12		
APPR.	JLAU 2/28/12		
SIZE	DWG. NO.	CWS-1TC-11759	REV B1
SCALE		N/A	SHEET 1 OF 1

UNLESS OTHERWISE SPECIFIED	
DIMENSIONING AND TOLERANCE PER ANSI Y14.5M	
ALL DIMENSIONS ARE IN INCHES AND [MILLIMETERS].	
TOLERANCE INCHES: .XXX=±.005 .XX=±.015 $\angle=±0°30'$	
TOLERANCE METRICS: .XXX=±.127 .XX=±.38 $\angle=±0°30'$	
ANGLE PROJECTION	
DO NOT SCALE DRAWING	