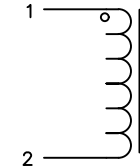
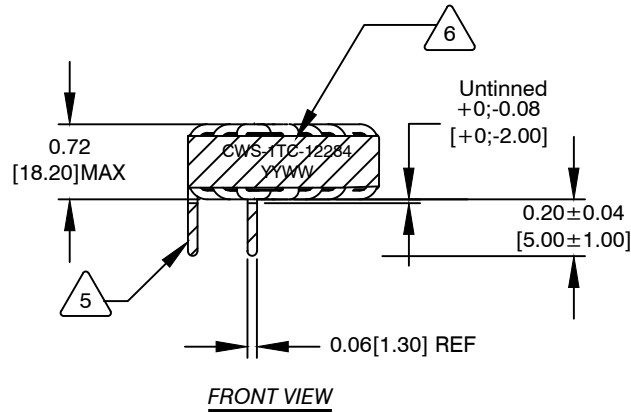


The information contained in this drawing is the sole property of CWS Coil Winding Specialist.
Any reproduction in part or whole without written permission of CWS Coil Winding Specialist is prohibited.



REVISION HISTORY						
REV	ECN	DESCRIPTION	SIGN & DATE			
			BY	DATE	CHK	DATE
B1		INITIAL DRAWING RELEASE	TN	11/07/2020	JL	11/07/2020



SCHEMATIC

DC BIAS TABLE

DC BIAS (AMP)	L@10KHz (REF)
0	87uH
2	84uH
4	78uH
6	68uH
8	58uH
10	51uH

7 BUILD TO RoHS COMPLIANCE AND LEAD FREE

6 LABEL PART NUMBER, REVISION AND DATE CODE
WRAP INDUCTOR WITH MYLAR TAPE

5 TO THE CORE
MUST REST FLAT ON PCB). LEADS MUST BE TANGENT
FLUSH WITH THE COIL EDGE, AS SHOWN (I.E. COIL
REMOVE INSULATION AND TIN LEADS TO SPECIFIED DIM SHOWN.

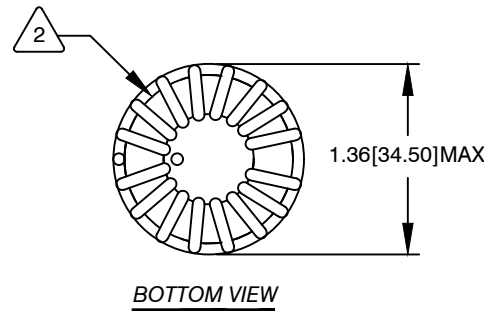
4 WIND COIL EVENLY SPACED AROUND THE CORE
CONSTRUCTION:

WEIGHT: 54 GRAMS TYPICAL
HI-POT TEST FOR WINDING TO CORE ISOLATION = 1000VDC, 2mA, 2s.
OPERATING TEMP. RANGE = -40°C TO 155°C
CURRENT RATING : 10 AMPS
INTERWINDING CAPACITANCE = 8.6pF TYP @ SRF
|Z| = 4.4 KILO-OHMS TYP. @ SRF
SRF = 6.24MHz TYPICAL
DCR = 90 MILLI-OHMS MAX.
INDUCTANCE @ DC BIAS: SEE TABLE ON THE RIGHT.
INDUCTANCE = 83.8uH ±10% @ 0A DC BIAS, 10KHz, 100mV
SPECIFICATIONS @ 25°C:

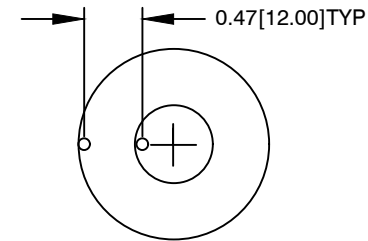
3 WIRE: UL RECOGNIZED 155°C RATED MAGNET WIRE or HIGHER
CORE: POWDERED TOROIDAL CORE

2 RATING CLASS H (180°C MIN.) REQUIRED
1 MATERIAL: UL RECOGNIZED 94V-0 FOR FLAMMABILITY

ANY TOLERANCE. THIS DIM. CAN VARY A LITTLE FROM PART TO PART.
"TYP" IN DIM. TOL. REFERS TO A NON-CRITICAL TYPICAL (AVERAGE) DIM. WITHOUT
NOTES: UNLESS OTHERWISE SPECIFIED, READ NOTES FROM BOTTOM UP.
CAGE CODE: 5DME2



BOTTOM VIEW



MOUNTING HOLES PATTERN

UNLESS OTHERWISE SPECIFIED	
DIMENSIONING AND TOLERANCE PER ANSI Y14.5M	
ALL DIMENSIONS ARE IN INCHES AND [MILLIMETERS].	
TOLERANCE INCHES:	
.XXX=±.005 .XX=±.015 \angle=±0°30'	
TOLERANCE METRICS:	
.XXX=±.127 .XX=±.38 \angle=±0°30'	
ANGLE PROJECTION	
DO NOT SCALE DRAWING	

CODE IDENT	MFG. P/N	DESCRIPTION	ITEM NO.
PARTS LIST			
AUTOCAD	X		
SOLIDWORKS			
SIGN	DATE	COILWS COM, INC www.coilws.com	CWS Coil Winding Specialist. 353 W Grove Ave Orange, CA 92865
DRAWN	TN 11/07/2020	TITLE: Power Inductor 83.8 uH, 10 Amps	
CHECKED	JL 11/07/2020		
ENGR.	JL 11/07/2020		
APPR.	JL 11/07/2020		
SIZE	DWG. NO.	B	CWS-1TC-12284
SCALE	2=1		REV B1
			SHEET 1 OF 1