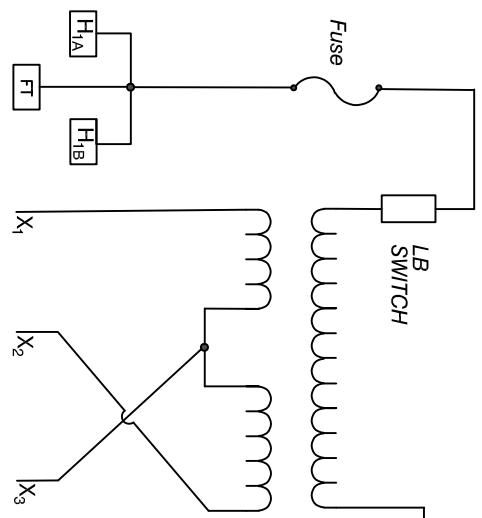
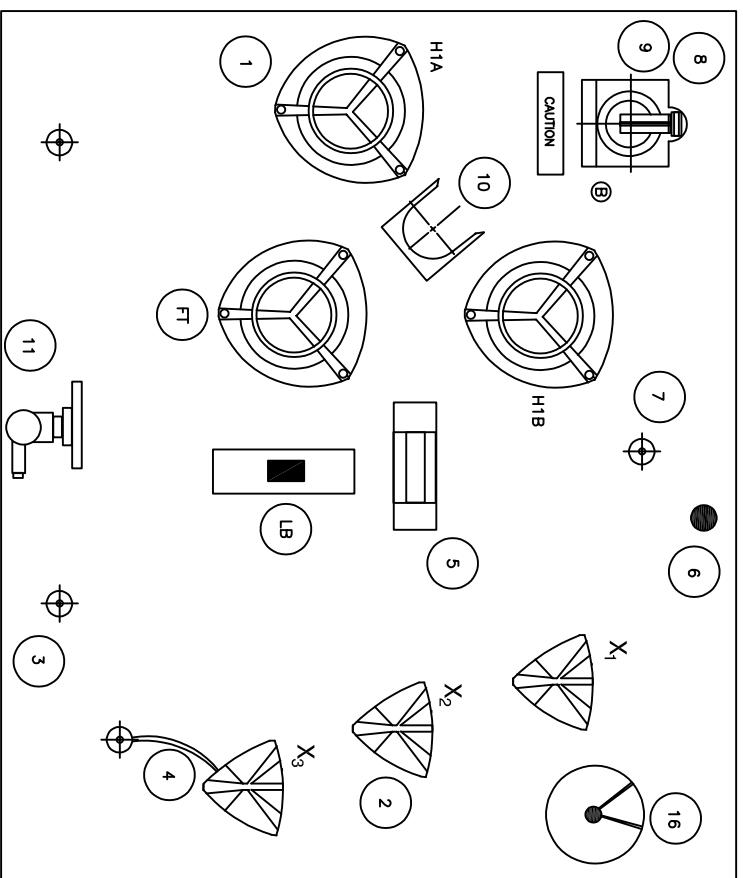


The information contained in this drawing is the sole property of Coil Winding Specialist, Inc. Any reproduction in part or whole without written permission of Coil Winding Specialist, Inc. is prohibited.



SCHEMATIC



ITEM	DESCRIPTION
1	200A, 15KV Class Bushing Well (BW150F), with Inserts
2	LV BUSHING
3	GROUND PAD
4	LV GROUND STRAP
5	NAMEPLATE
6	PRESSURE RELIEF VALVE
7	OIL FILL PLUG
8	BAYONET FUSE
9	DRIP SHIELD
10	HV STANDOFF BRACKET
11	DRAIN AND SAMPLE VALVE
16	DIAL TYPE THERMOMETER 150-101-11
LB	LOAD BREAKER SWITCH
FT	ADDITIONAL FEED THROUGH WITH BUSHING

TECHNICAL DATA	
RATING	75 KVA
H.V	12.47 KV
L.V	240/120 V
FREQUENCY	60 Hz
VECTOR GROUP	II0 AM
WINDING MATERIAL	AL
BIL HIGH VOLTAGE	95 KV
BIL LOW VOLTAGE	30 KV
COOLING CLASS	ONAN
EFFICIENCY	99.19 %
NO LOAD LOSS	120 W
LOAD LOSS	820 W
IMPEDANCE	PER IEEE
COLOR	MUNSELL 7GY3.29/1.5

UNLESS OTHERWISE SPECIFIED	
DIMENSIONING AND TOLERANCE PER ANSI Y14.5M	ALL DIMENSIONS ARE IN INCHES AND [MILLIMETERS]
TOLERANCE INCHES:	.XXX=±.010 .XX=±.020 .X=±.030
TOLERANCE METRICS:	.XXX=±.254 .XX=±.51
ANGLE PROJECTION	DO NOT SCALE DRAWING

REV	ECN	DESCRIPTION	DATE
C	100824	UPDATED SPEC., REVISED DESCRIPTION & P/N	10/09/24
D	121824	CHANGED P/N	12/16/24

BR	DATE	CHK	DATE
TN	10/09/24	JL	10/09/24
TN	12/16/24	JL	12/16/24

SIGN & DATE	
DESIGNER	DATE
DRWN	09/03/24
CHKD	09/03/24
ENGR	09/03/24
APPR	09/03/24

TITLE:	
Single-Phase Loop Distribution Padmount Transformer	
SIZE	DWG. NO.
B	CWS-75KVA1P-12.47K

SCALE	
NOT TO SCALE	SHEET 1 OF 1

AUTOCAD SOLIDWORKS	
DATE	X
SIGN	

www.coilw.com
sales@coilw.com
 Coil Winding Specialist, Inc.
 353 W GROVE AVE
 ORANGE, CA 92665