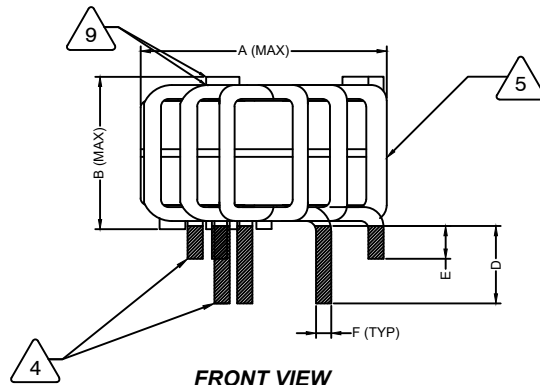


The information contained in this drawing is the sole property of Coil Winding Specialist Inc. (CWS)  
 Any reproduction in part or whole without written permission of CWS is prohibited.

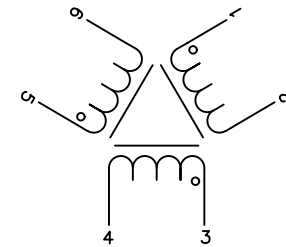
DIMENSIONAL TOLERANCE INCHES [MM]					
A(OD) Max	B(HGT) Max	C(ID) TYP	D(LEAD Inside) Min	E(LEAD Outside) Min	F (Lead Dia) TYP
2.56 [65.00]	1.550 [39.37]	0.945 [24.00]	0.500 [12.70]	.300 [7.62]	0.080 [2.03]

REVISION HISTORY						
REV	ECN	DESCRIPTION	SIGN & DATE			
			BY	DATE	CHK	DATE
A	1	PRODUCTION RELEASE	KC	11/01/11	AK	11/01/11
B	2	ELECTRICAL	KC	02/20/12	AK	02/20/12
B1		REVISED SPEC.	TN	06/26/21	JL	06/26/21

- 9 WIRE WINDING MUST BE BELOW SPACER HEIGHT.
- 8 VARNISH PART AND CURE
- 7 APPLY SILICONE BETWEEN CENTER FR4 AND WINDING.
- 6 BUILT TO RoHS COMPLIANCE AND LEAD FREE.
- 5 MARK PART NUMBER AND REVISION.
- 4 TRIM INSIDE LEAD TO 0.500 INCH TIN LEADS AND TRIM OUTSIDE LEADS TO 0.30 INCH

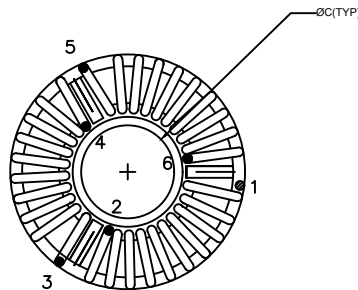


**FRONT VIEW**

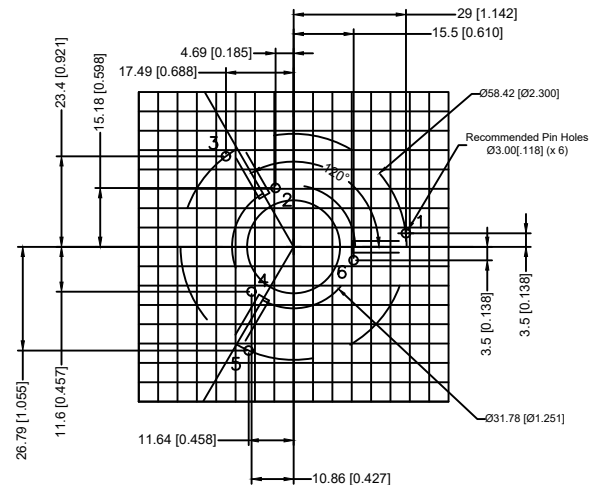


**SCHEMATIC**

WEIGHT = ~260 GRAMS  
 OPERATING TEMP RANGE = -40 °C TO 130°C  
 MAX TEMP RISE = 40 °C  
 INTERWINDING ISOLATION = 2000 VOLTS RMS.  
 DCR ON EACH WINDING = 6.8 mΩ MAX.  
 SRF = 1.1 MHz TYP  
 RATED VOLTAGE = 1000 VAC OR VDC  
 RATED CURRENT = 25 AMPS  
 LEAKAGE INDUCTANCE = 15.0 uH TYP @ 10 KHz, 0.25 Vrms.  
 INTERWINDING CAPACITANCE = 8pF TYP @ SRF  
 IMPEDANCE = 5.5 kΩ TYP @ SRF  
 L = 10.5 mH MIN @ 10 KHz, 0.25 Vrms, 0 ADC  
 INSULATION RESISTANCE = 100 MEGA-OHMS MIN. @ 500 VDC  
 3 SPECIFICATIONS AT 25°C:



**BOTTOM VIEW**



**MOUNTING HOLES PATTERN**

- 2 WIRE: UL RECOGNIZED 200°C RATED MAGNET WIRE  
 CWS BYTEMARK OR OTHER APPROVED PART  
 CORE: NANOCRYSTALLINE OR AMORPHOUS CORE
- 1 CASE RATING CLASS B (130°C) REQUIRED  
 MATERIAL: UL RECOGNIZED 94V-0 FOR FLAMMABILITY

ANY TOLERANCE. THIS DIM. CAN VARY A LITTLE FROM PART TO PART.  
 "TYP" IN DIM. TOL. TABLE REFERS TO A NON-CRITICAL TYPICAL (AVERAGE) DIM. WITHOUT

NOTES: UNLESS OTHERWISE SPECIFIED. READ NOTES FROM BOTTOM TO TOP.  
 CAGE CODE: 5DME2

UNLESS OTHERWISE SPECIFIED	
DIMENSIONING AND TOLERANCE PER ANSI Y14.5M	
ALL DIMENSIONS ARE IN INCHES AND [MILLIMETERS].	
TOLERANCE INCHES:	∠=±0°30'
.XXX=±.005 .XX=±.015	
TOLERANCE METRICS:	∠=±0°30'
.XXX=±.127 .XX=±.38	
ANGLE PROJECTION	
DO NOT SCALE DRAWING	

QTY	CODE IDENT	MFG. P/N	DESCRIPTION	ITEM NO.
<b>PARTS LIST</b>				
AUTOCAD	X	<b>www.coilws.com</b>		
SOLIDWORKS		Coil Winding Specialist Inc. 353 West Grove Ave Orange, California. 92865		
DRAWN	KLC	9/12/11	TITLE: Nanocrystalline Inductor Three-Phase Common Mode Choke Horizontal Mount	
CHECKED	AK	9/12/11		
ENGR.	KLC	9/12/11		
APPR.	KLC	9/12/11		
SCALE		2=1	SHEET 1OF	1
SIZE		DWG. NO. B	CWS-CMN-11970	REV B1